



LIGHT. YEARS AHEAD.

# Contents

## Leisure/Fishing

- X Series
- Sport Series
- Explore Series

## Docklighting


- Sport Dock Series

## Controllers

- OceanDMX
- DMX Controller
- WiFi DMX Controller

## Eyes Camera

## Accessories



OceanLED is the UK-based company that started the marine LED revolution back in 2005 and is still to this day changing how boat owners light up the night.

With projects at the world's most prestigious boat yards and boat builders along with a global dealer network OceanLED's advanced technical achievements, industry recognition and constant pursuit of excellence in the field of underwater lighting continue to inspire it's customers.

OceanLED has a highly-skilled team constantly developing advanced, unique new products all designed and produced in-house.

The current product line serves a multitude of uses on board for all sizes of boats; from 3 meter RIBs to the largest of superyachts.

# Advanced Optics

New generation innovative, efficient reflector optic.

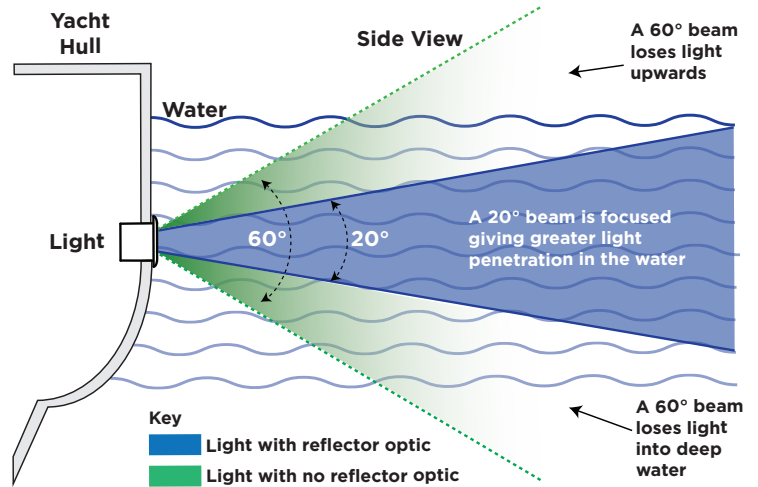
20° side beam produces a blade of light under the water that penetrates further.

A true 90° wide-angled, surface beam lights up a large area of water, flooding it with light.



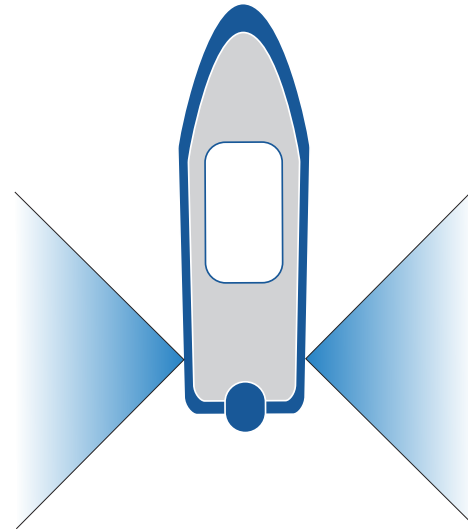
**Less power used to deliver superior light effect due to advanced Optics**

- New generation innovative, efficient reflector optics.
- Focused side beam produces a blade of light under the water that penetrates further.
- All available light is directed with minimal loss.



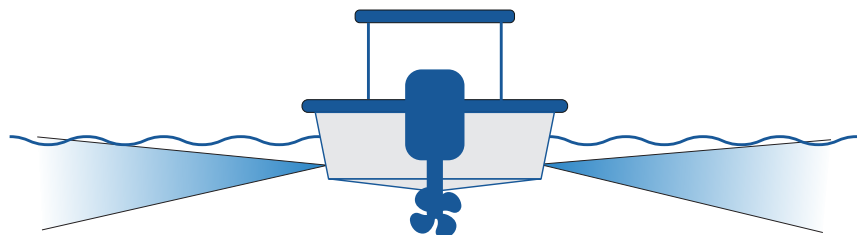
## Advanced Signature Optics - Wide Surface Beam

OceanLED's signature optics (90° x 20°), producing an unrivaled optimal lighting effect.



## Advanced Signature Optics - Narrow Side Beam

The OceanLED signature optics produce a narrow side beam, that has minimal light loss, focusing the beam where you need it and penetrating further through the water.



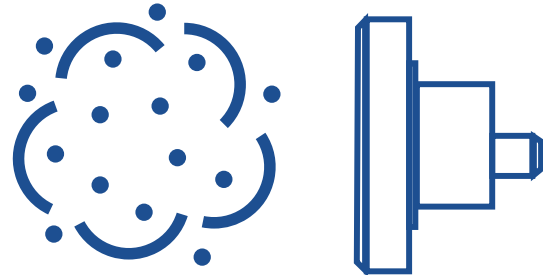


# IP69k

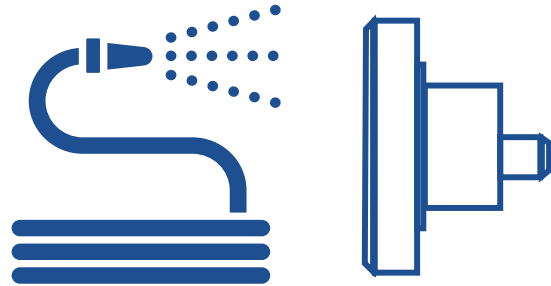
OceanLED goes further than other lighting providers by having our products tested to the most rigorous, highest pressure testing available.

## What does IP69k mean?

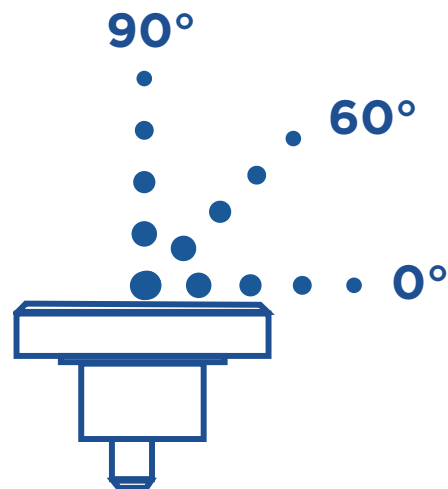
IP (Ingress Protection)  
6 = Dust Ingress Protection  
9k = High Temperature/  
High Pressure Water Testing



6 = No Dust Ingress



9k = High Temperature / High Pressure Water Protection



9k - Sprayed with high pressure and high temperature water at different angles

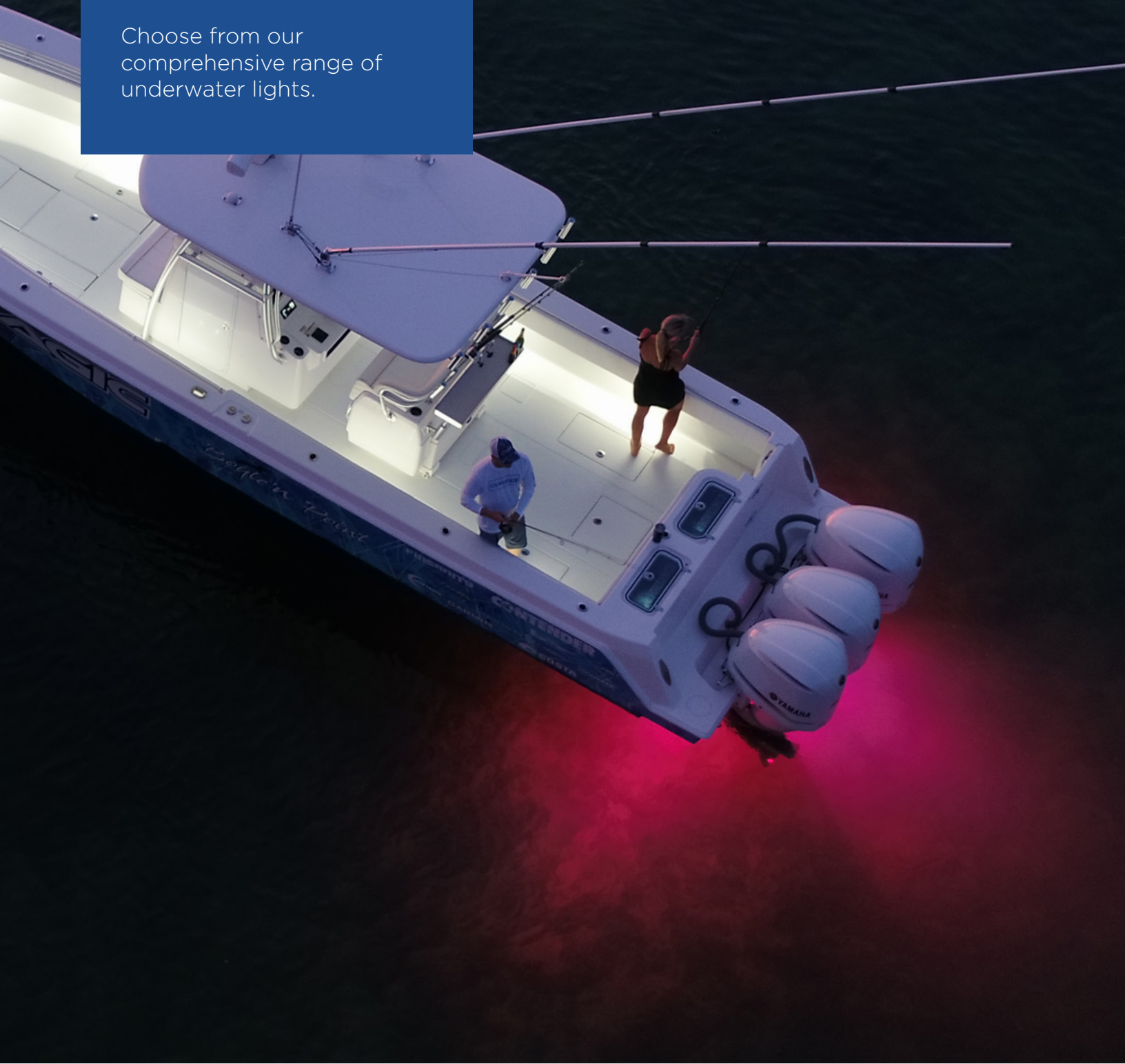




# Leisure & Fishing

Whatever your size and style of boat, we have the perfect lighting solutions for you.

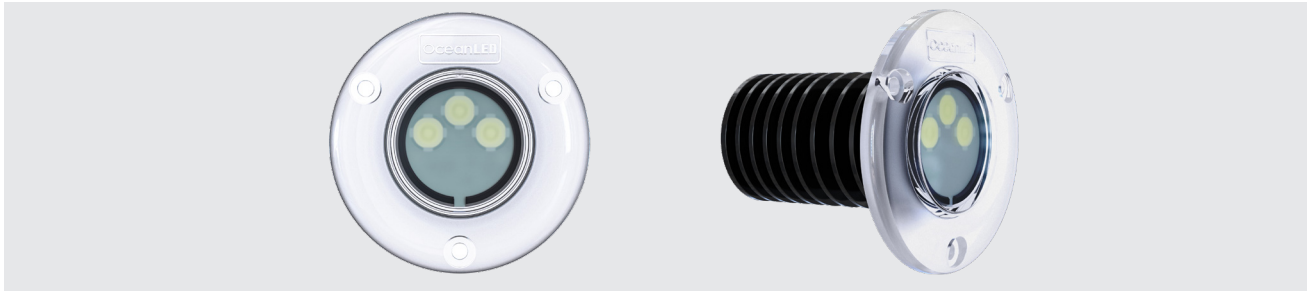
Choose from our comprehensive range of underwater lights.



# DISCOVER *D3*



The new Discover Series D3 underwater LED light from OceanLED, is ideal for boats that want to discover the many benefits of underwater lighting.



**KEY FEATURES**



700\*  
 Fixture Lumens  
\* Ultra White measurement



Wide  
 Beam



Compact  
 Size



IP69k  
 Protection

**COLOUR**



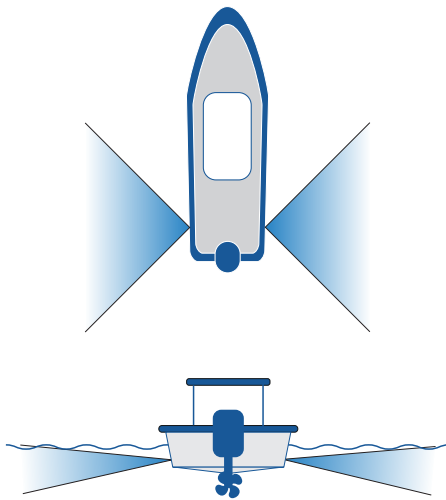
Midnight Blue



Ultra White

**WIDE BEAM 90° x 20° (ELLIPTICAL)**

With the wide angle beam, the D3 has the same signature in-water lighting effect as other larger lights from OceanLED, providing a wide-angled, focused top beam that lights up a large area of water, flooding it with light.



**NON CORROSIVE, NON CONDUCTIVE BEZEL**

The Discover D3 features a polymer front bezel that protects against corrosion as well as insulates against conductive hull types.



**ABOVE AND BELOW WATER MOUNTING**

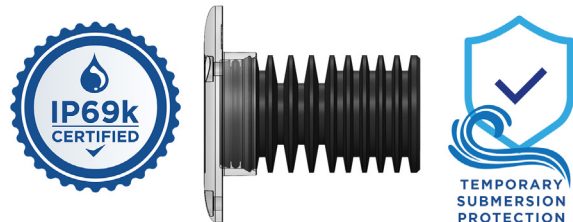
The Discover D3 can also be used for deck or feature lighting above the water on your boat.

**IP69k PROTECTION**

The Discover D3 is rated at IP69k, the highest achievable rating of protection against water ingress. IP69k goes one step further than the industry standard IP68, giving you additional protection and peace of mind.

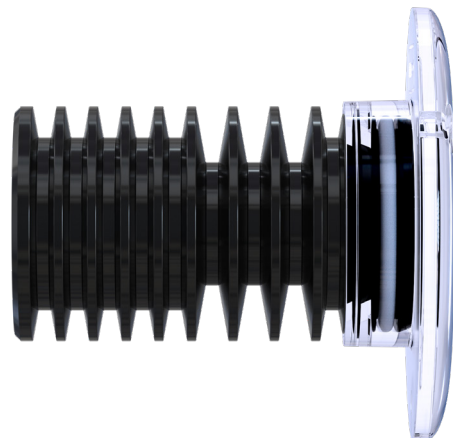
**TEMPORARY REAR SUBMERSION PROTECTION**

The rear of the light is protected from in-hull temporary submersion for boats where rough seas and waves sometimes flood the stern.



**COMPACT DESIGN**

The flush mount D3's compact dimensions make it ideal for tight fitting areas or smaller boats that want to discover the many benefits of underwater lighting. The D3 can be mounted with sealant and 3 screws to the hull, with only a 6mm low profile bezel that has no impact on speed or flow of water over the hull.







## DISCOVER D3 CHOOSE YOUR LIGHT SETUP



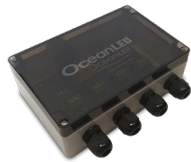
### CHOOSE YOUR DISCOVER D3 MODEL

#D3009W  
Discover D3 (Ultra White)  
• Light Assembly  
• Screws  
• Fuse Kit

#D3009B  
Discover D3 (Midnight Blue)  
• Light Assembly  
• Screws  
• Fuse Kit



### CONNECTION ACCESSORIES



#019901  
OceanLED 4-Way Power  
Junction Box

## OPERATION

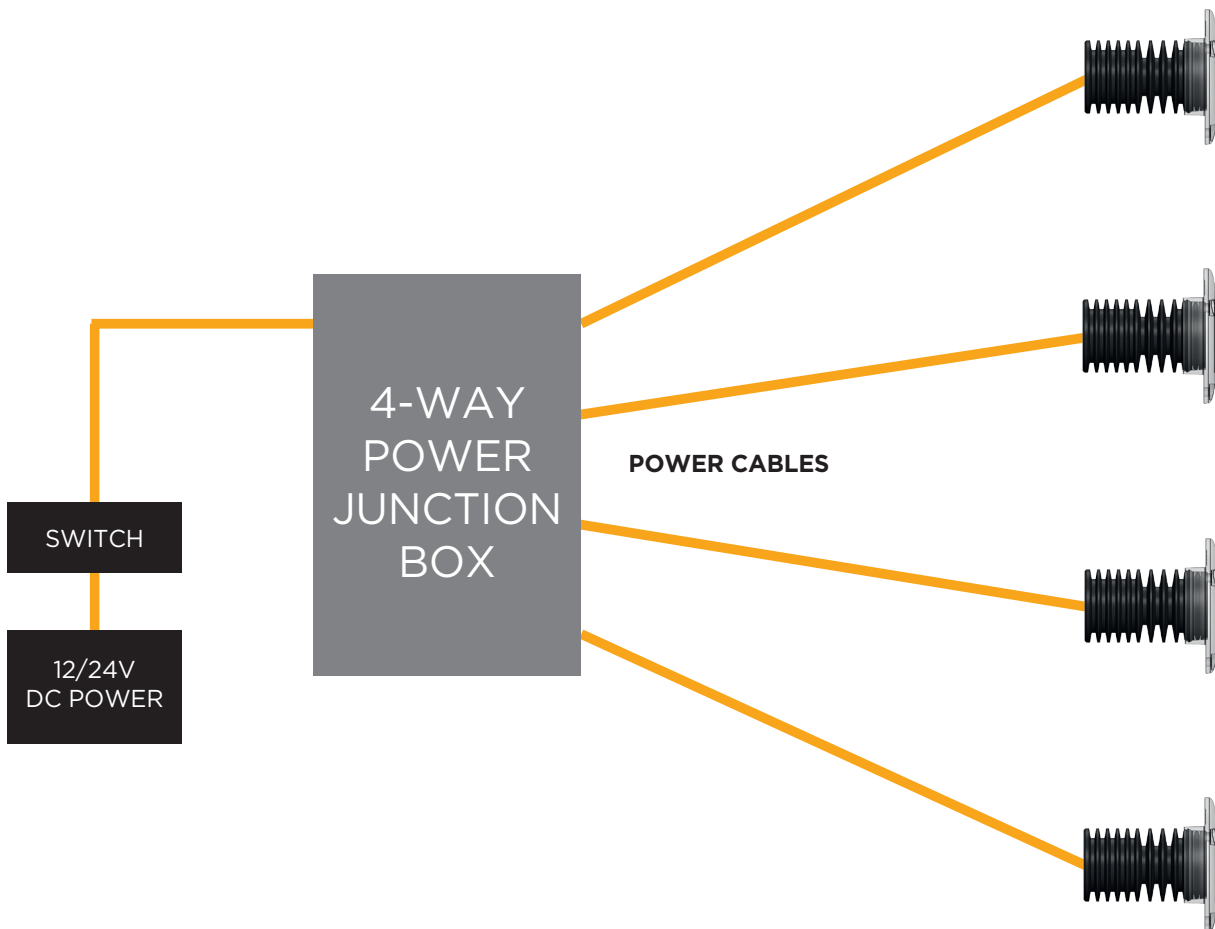


### CONTROL VIA 3RD PARTY SWITCH

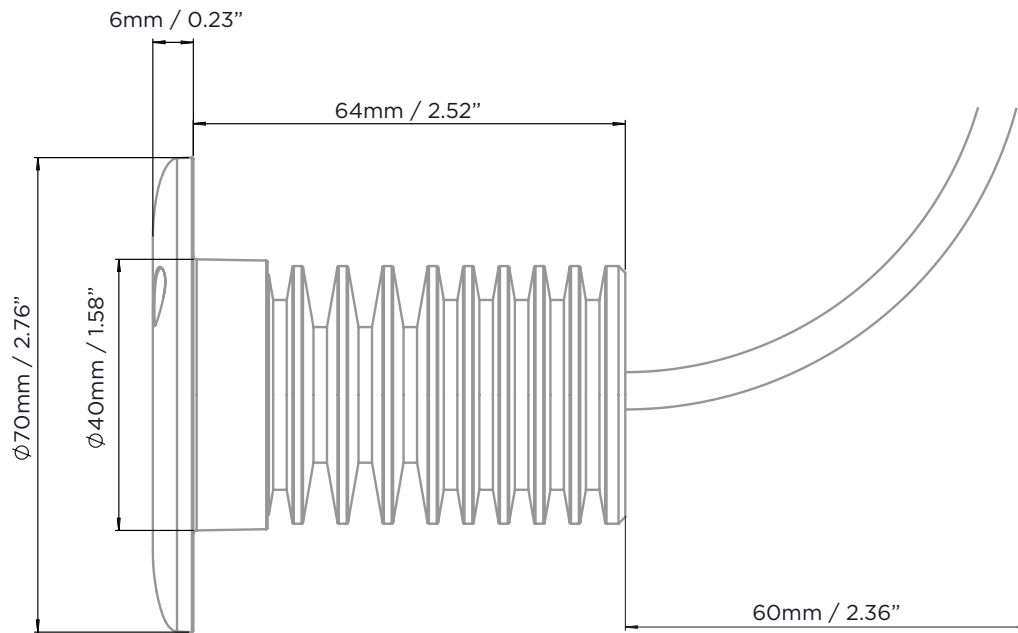
A 3rd party switch is required for operation.

Please see operation manual for full instructions

## WIRING SCHEMATIC WITH POWER JUNCTION BOX

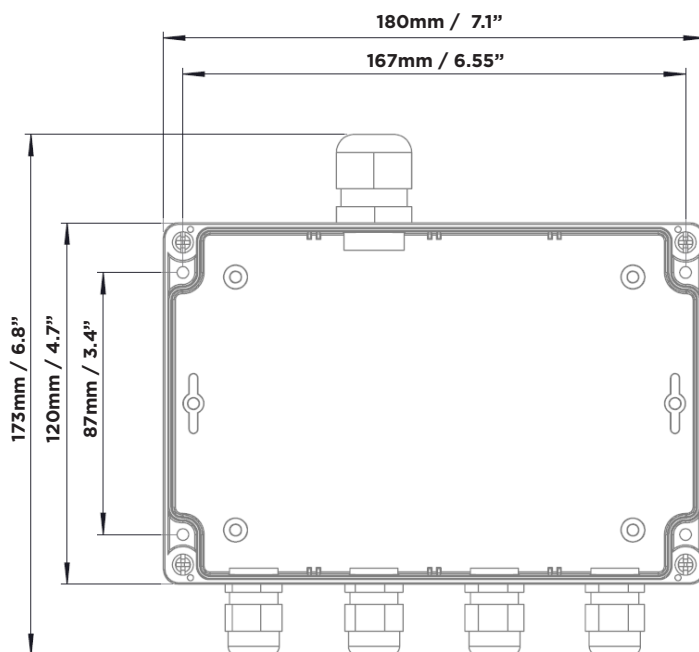


DISCOVER D3 DIMENSIONS



4-WAY POWER JUNCTION BOX ACCESSORY

Part Number	019901
Material / Colour	Polycarbonate
Weight	460g
IP Rating	IP66



PRODUCT GUIDE/technical  
**DISCOVER D3 (FM)**



**BOX CONTENTS**

Discover D3 Light Assembly & Screws
In-line Fuse Kit
Product Manual

**ACCESSORIES** **PART**

4 Way V DC Power Junction Box	019901
-------------------------------	--------

**MOUNTING RECOMMENDATIONS**

Boat size	Up to 10m (33')
Transom / Hull spacing	0.5 - 1.2m (2-4')
Installation depth below waterline	150-200mm (6-8")
Maximum Recommended Hull Thickness	50mm (2")

**TECHNICAL**

Fixture Lumens (Ultra White)	700
Beam Angle	Elliptical 90° x 20°
Min-Max Operating voltage DC	10-30V DC
Current / Amp draw (12V DC)	0.7A@12V DC
Current / Amp draw (24V DC):	0.37A@24V DC
Correlated Colour Temp (White)	6500k
IP Rating (Front Face)	IP69k
Rear Temporary Submersion Protection	Yes
LED Manufacturer	CREE
Driver type	Internal
Active Thermal Control	Yes

**PHYSICAL**

Total weight	150g (0.11lbs)
Total Diameter (Including Bezel)	70mm (2.76")
Diameter Of Body	40mm (1.57")
Profile Of Fixture	70mm (2.76")
Cable length	2m (79")
Hole Cut-Out	44mm (1.73")
Material (Bezel)	UV protected, anti corrosive polymer
Material (Light Body)	Hard Anodised Aluminium
Optics (90° x 20°)	Hybrid Collimated
CE Approved	Yes



# X Series

With a wide choice of sizes and colours, the X-Series offers a range of mounting and colour options to help create your perfect light show and enjoy more time on the water.



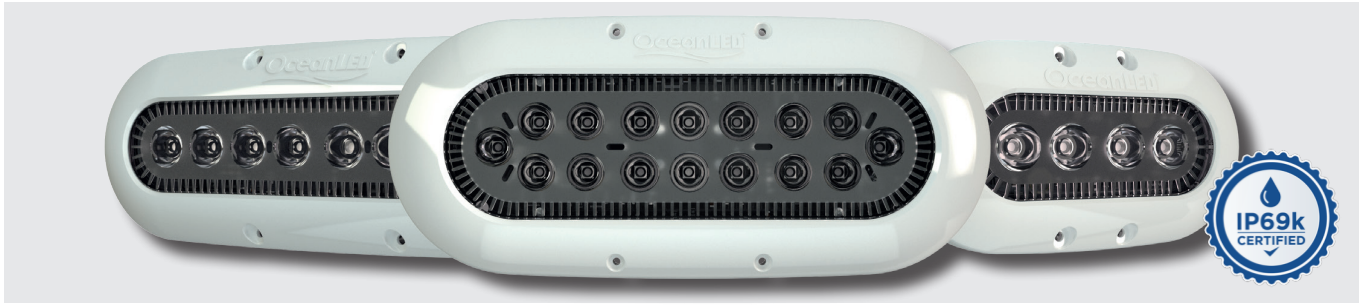




# X SERIES

# PRODUCT GUIDE

## SURFACE MOUNT



### KEY FEATURES



4,500\*  
Fixture Lumens

\*White measurement of X16 Ultra White



60°  
Top Beam



60°  
Side Beam



Circular  
Beam Shape

### X4

COLOUR  
PART#



Ultra White  
**012301W**



Midnight Blue  
**012302B**

### X8

COLOUR  
PART#



Ultra White  
**012304W**



Midnight Blue  
**012305B**



Colours DMX  
**012307C**

### X16

COLOUR  
PART#



Ultra White  
**012308W**



Midnight Blue  
**012309B**



Colours DMX  
**012311C**

### X4 ULTRA WHITE / MIDNIGHT BLUE

Up to 1,150 fixture lumens, the X4 combines brightness with affordability.

### X8 ULTRA WHITE / MIDNIGHT BLUE / DMX COLOURS

With up to 2,300 fixture lumens, the X8's slim design makes it simple to install on virtually every boat.

### X16 ULTRA WHITE / MIDNIGHT BLUE / DMX COLOURS

The X16 gives stunning performance packing a mighty 4,500 fixture lumens into its low profile design.

### COMPACT DESIGN

Made from a chemically resistant optical polymer with a built in driver, there is a lot packed into this compact light.



### FISH-STROBE MODE

Exceptionally bright, randomised strobing of the light is proven to attract more fish and catch more bait.

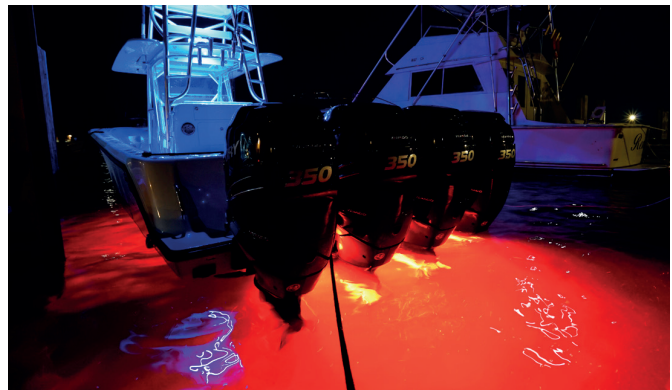
### ACTIVE THERMAL CONTROL

ATC prevents overheating. In the event of overheating the ATC system will reduce the LED power level in order to protect the LEDs, or in extreme cases, turn off the fixture completely.

### ABOVE WATER MOUNTING

The X Series can also be used as an exterior light for your cockpit, deck or trailer.

### IN-WATER APPLICATION



SPORT SERIES CHOOSE YOUR LIGHT SETUP



CHOOSE YOUR X SERIES MODEL

X4

#012301W  
(Ultra White)  
• LED Light and Cable  
• Fuse Kit  
• Mounting Screws



X4

#012302B  
(Midnight Blue)  
• LED Light and Cable  
• Fuse Kit  
• Mounting Screws



X8

#012304W  
(Ultra White)  
• LED Light and Cable  
• Fuse Kit  
• Mounting Screws



X8

#012305B  
(Midnight Blue)  
• LED Light and Cable  
• Fuse Kit  
• Mounting Screws



X16

#012308W  
(Ultra White)  
• LED Light and Cable  
• Fuse Kit  
• Mounting Screws



X16

#012309B  
(Midnight Blue)  
• LED Light and Cable  
• Fuse Kit  
• Mounting Screws



X8

#012307C  
(Colours DMX)  
• LED Light and Cable  
• Fuse Kit  
• Mounting Screws

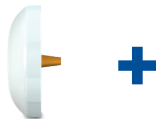


X16

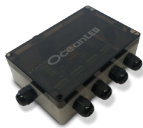
#012311C  
(Colours DMX)  
• LED Light and Cable  
• Fuse Kit  
• Mounting Screws



CONNECT POWER & FUSE KIT



Fuse Kit  
(Included with all models)



#011702  
DMX Junction Box  
(Included with #011704  
X Series OceanDMX  
App Controller Kit)



CONTROL VIA SWITCH OR OCEANDMX KIT



X4/X8/X16 Single Colour  
Models  
3rd Party control via  
power switch

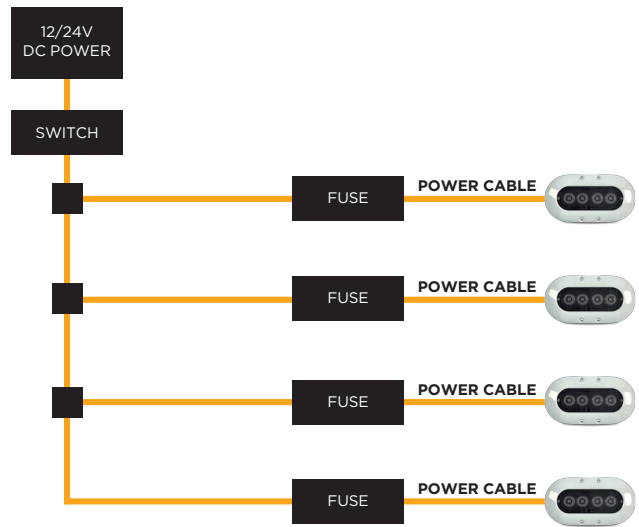


X8/X16 Colours DMX  
Models  
3rd Party control via  
power switch

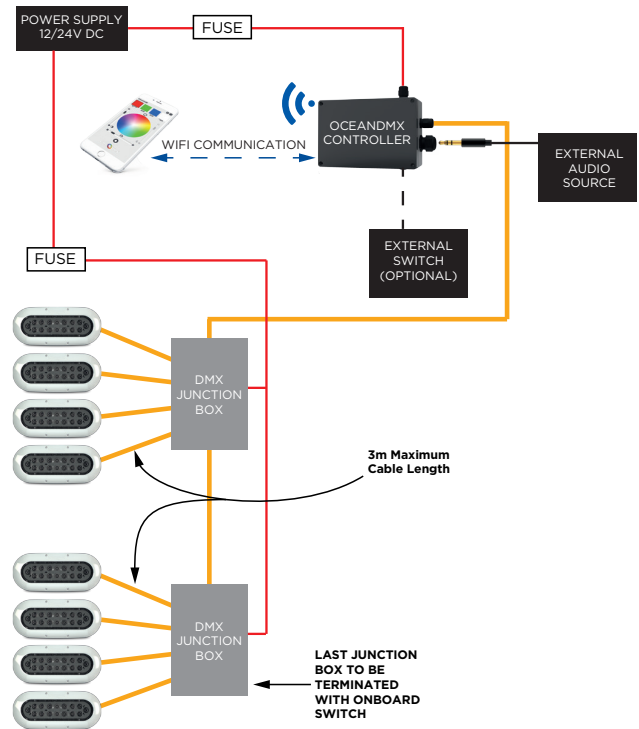


X8/X16 Colours DMX  
#011704  
X Series OceanDMX  
App Controller Kit

CONTROL / WIRING SCHEMATIC



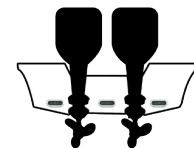
OCEANDMX CONTROL / WIRING SCHEMATIC



TRANSOM PLACEMENT

Perfect for transoms. Mount underwater, on an even spread around your engines.

- **Small Boats (Outboard)**  
Example placement for a smaller boat with 2 outboard engines.



- **Larger Boats (Inboard)**  
Example placement for larger boats with inboard engines.



EASY TO CLEAN

Thanks to its Tritonium coating, a simple wipe of the lens removes any underwater growth, saving hours of scrubbing each time you use your boat.





OceanLED X-Series is a superb underwater LED light range for small and medium sized fishing and cruising boats.

KEY FEATURES



Up To 1,150 Fixture Lumens



60° Top Beam



60° Side Beam



Circular Beam

COLOUR PART#



Ultra White  
**012301W**



Midnight Blue  
**012302B**

The OceanLED X-Series X4 combines brightness with affordability.

Whether cruising or fishing, the X4 gives stunning performance, allowing you to enjoy more time on the water with family and friends.

The X4 outputs an impressive 1,150 fixture lumens from its low profile design and utilizes focused optics to produce a 60° circular beam from each LED, providing great water penetration and illuminating a large area.

Choose Midnight Blue or Ultra White colour options.

Looking to catch more fish? Switch on the Fish-Strobe mode and the light emits a random strobe pattern that is proven to attract extra bait and help catch more fish.

- Midnight Blue and Ultra White colour options.
- Slim design makes it simple to install on small and medium sized boats.
- True 60° beam angle with no fading at the edge giving better illumination.

## ABOVE WATER MOUNTING

The X Series can also be used as an exterior light for your cockpit, deck or trailer..

## COMPACT AND SIMPLE DESIGN

Made from a chemically resistant optical polymer with a built in driver, there is a lot packed into this compact light.

## SIMPLE TO INSTALL

Installation needs only a small, 12.5mm hole in the hull to feed the cable through and 4 screws to hold in place. No bonding required.

## EASY TO CLEAN

Thanks to its Tritonium coating, a simple wipe of the lens removes any underwater growth, saving hours of scrubbing each time you use your boat.

## FISH-STROBE MODE

Exceptionally bright, randomised strobing of the light is proven to attract more fish and catch more bait.

## ACTIVE THERMAL CONTROL

ATC prevents overheating. In the event of overheating the ATC system will reduce the LED power level in order to protect the LEDs, or in extreme cases, turn off the fixture completely.

## X4 SPECIFICATIONS

### BOX CONTENTS

X-Series LED Light and Cable

In-line Fuse Kit

Mounting Screws

Quick Install Guide

### ACCESSORIES

### PART

316L Stainless Steel Bezel X4

011416

4 Way V DC Power Junction Box

019901

### MOUNTING RECOMMENDATIONS

Boat size

Up to 30' (9m)

Transom / Hull spacing

2-3' (0.5-1m)

Transom quantity

2-4

Installation depth  
(To top of fixture)

4-8in (10-20cm)

### TECHNICAL

Lumens

1450

Fixture Lumens

1150

Typical LED life expectancy

40,000+ Hours

Minimum-Maximum operating voltage  
DC

9-32V DC

Current / Amp draw (DC)

12V DC 0.8A  
24V DC 0.4A

Approx. Light penetration  
(avg. water quality)

20' (6m)

Approx. Light penetration  
(Perfect water quality)

Up to 45' (13+m)

Driver type

Internal, Reverse  
Polarity Protected

### PHYSICAL

Total weight

350g (0.78lbs)

Extension cable length (standard)

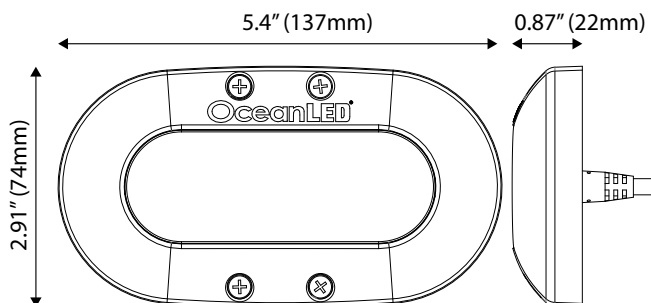
9.84' (3m)

Hole cut-out for cable entry

0.5" (12.5mm)

Material

Chemically resistant  
optical polymer



\*Fixture Lumens rating is a measurement of total white light output from a complete (as sold) light fixture using laboratory standard, calibrated photometric measuring equipment.



# X8 X-SERIES

SURFACE MOUNT



OceanLED X-Series is a superb underwater LED light range for small and medium sized fishing and cruising boats.

#### KEY FEATURES



Up To 2,300 Fixture Lumens



60° Top Beam



60° Side Beam



Circular Beam

#### COLOUR PART#



Ultra White **012304W**



Midnight Blue **012305B**



Colours **012307C**

The OceanLED X-Series X8 combines brightness with affordability. Whether cruising or fishing, the X8 gives stunning performance, allowing you to enjoy more time on the water with family and friends.

The X8 packs a mighty 2,300 fixture Lumens into its low profile design and utilizes focused optics to produce a 60° circular beam from each LED, providing great water penetration and illuminating a large area.

Choose a single colour version from Midnight Blue or Ultra White or pick our Colours option where which you can select any colour you want from the RGBW (Red, Green, Blue, White) spectrum.

You can toggle between colours using a standard DC switch, or with our OceanDMX controller and free smartphone app, your choice is virtually limitless.

Looking to catch more fish? Switch on the Fish-Strobe mode and the light emits a random strobe pattern that is proven to attract extra bait and help catch more fish.

- Great choice of colour options to suit your needs.
- Slim design makes is simple to install on virtually every boat.
- True 60° beam angle with no fading at the edge, giving better illumination.



## 2,900 LUMENS / 2,300 FIXTURE LUMENS

Outstanding performance from this small, bright light makes it the obvious choice for those who want to stand out from the crowd.

## ABOVE WATER MOUNTING

The X Series can also be used as an exterior light for your cockpit, deck or trailer..

## COMPACT AND SIMPLE DESIGN

Made from a chemically resistant optical polymer with a built in driver, there is a lot packed into this compact light.

## SIMPLE TO INSTALL

Installation needs only a small, 12.5mm hole in the hull to feed the cable through and 4 screws to hold in place. No bonding required.

## EASY TO CLEAN

Thanks to its Tritonium coating, a simple wipe of the lens removes any underwater growth, saving hours of scrubbing each time you use your boat.

## FISH-STROBE MODE

Exceptionally bright, randomised strobing of the light is proven to attract more fish and catch more bait.

## ACTIVE THERMAL CONTROL

ATC prevents overheating. In the event of overheating the ATC system will reduce the LED power level in order to protect the LEDs, or in extreme cases, turn off the fixture completely.

## COLOURS CONTROL

Colours models are compatible with OceanDMX for full control, interactivity and colour customisation. Alternatively, cycle smoothly between red, green, blue and white with a standard DC switch.

## X8 DETAILS

### BOX CONTENTS

X-Series LED Light and Cable

In-line Fuse Kit

Mounting Screws

Quick Install Guide

### ACCESSORIES

### PART

X Series OceanDMX App Controller Kit (1-4 Lights)**	011704
DMX Junction Box (Required for 5+ OceanDMX Controlled Lights)†	011702
316L Stainless Steel Bezel X8	011417
4 Way V DC Power Junction Box	019901

### MOUNTING RECOMMENDATIONS

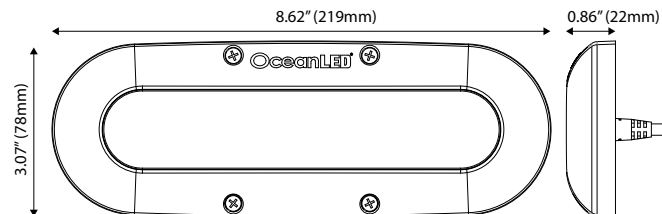
Boat size	Up to 50' (15m)
Transom / Hull spacing	2-4' (0.5-1.2m)
Transom quantity	2-4
Installation depth (to top of fixture)	4-8in (10-20cm)

### TECHNICAL

Lumens*	2900
Fixture Lumens*	2300
Typical LED life expectancy	40,000+ Hours
Minimum-Maximum operating voltage DC	9-32V DC
Current / Amp draw (DC) (Amperage draw for Colours models vary by colour selected, this is the maximum)	12V DC 1.65A 24V DC 0.75A
Approx. Light penetration (avg. water quality)	26' (8m)
Approx. Light penetration (perfect water quality)	Up to 72' (21+m)
Driver type	Internal, Reverse Polarity Protected

### PHYSICAL

Total weight	600g (1.32lbs)
Extension cable length (standard)	9.84' (3m)
Hole cut-out for cable entry	0.5" (12.5mm)
Material	Chemically resistant optical polymer



**NOTE:** When installed for DMX use, light cables cannot be extended further than the supplied 3m between junction box and light.

\*Fixture Lumens rating is a measurement of total white light output from a complete (as sold) light fixture using laboratory standard, calibrated photometric measuring equipment.



OceanLED X-Series is a superb underwater LED light range for small and medium sized fishing and cruising boats.

KEY FEATURES



Up To 4,500  
Fixture Lumens



60°  
Top Beam



60°  
Side Beam



Circular  
Beam

COLOUR  
PART#



Ultra White  
**012308W**



Midnight Blue  
**012309B**



Colours  
**012311C**

The OceanLED X-Series X16 combines brightness with affordability. Whether cruising or fishing, the X16 gives stunning performance allowing you to enjoy more time on the water with family and friends.

The X16 packs a mighty 4,500 fixture Lumens into its low profile design and utilizes focused optics to produce a 60° circular beam from each LED providing great water penetration, illuminating a large area.

Choose a single colour version from Midnight Blue or Ultra White or pick our Colours option where which you can select any colour you want from the RGBW (Red, Green, Blue, White) spectrum.

You can toggle between colours using a standard DC switch, or with our OceanDMX controller and free smartphone app, your choice is virtually limitless.

Looking to catch more fish? Switch on the Fish-Strobe mode and the light emits a random strobe pattern that is proven to attract extra bait and help catch more fish.

- Great choice of colour options to suit your needs.
- Slim design makes is simple to install on virtually every boat.
- True 60° beam angle with no fading at the edge, giving better illumination.

## 5,800 LUMENS / 4,500 FIXTURE LUMENS

Outstanding performance from this small, bright light makes it the obvious choice for those who want to stand out from the crowd.

### ABOVE WATER MOUNTING

The X Series can also be used as an exterior light for your cockpit, deck or trailer..

### COMPACT AND SIMPLE DESIGN

Made from a chemically resistant optical polymer with a built in driver, there is a lot packed into this compact light.

### SIMPLE TO INSTALL

Installation needs only a small, 12.5mm hole in the hull to feed the cable through and 4 screws to hold in place. No bonding required.

### EASY TO CLEAN

Thanks to its Tritonium coating, a simple wipe of the lens removes any underwater growth, saving hours of scrubbing each time you use your boat.

### FISH-STROBE MODE

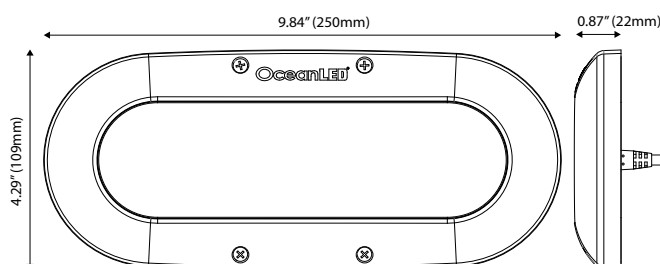
Exceptionally bright, randomised strobing of the light is proven to attract more fish and catch more bait.

### ACTIVE THERMAL CONTROL

ATC prevents overheating. In the event of overheating the ATC system will reduce the LED power level in order to protect the LEDs, or in extreme cases, turn off the fixture completely.

### COLOURS CONTROL

Colours models are compatible with OceanDMX for full control, interactivity and colour customisation. Alternatively, cycle smoothly between red, green, blue and white with a standard DC switch.



## X16 SPECIFICATIONS

### BOX CONTENTS

X-Series LED Light and Cable

In-line Fuse Kit

Mounting Screws

Quick Install Guide

### ACCESSORIES

### PART

X Series OceanDMX App Controller Kit (1-4 Lights)**	011704
---	--------

DMX Junction Box (Required for 5+ OceanDMX Controlled Lights)†	011702
--	--------

316L Stainless Steel Bezel X16	011418
--------------------------------	--------

4 Way V DC Power Junction Box	019901
-------------------------------	--------

### MOUNTING RECOMMENDATIONS

Boat size	Up to 65' (20m)
-----------	-----------------

Transom / Hull spacing	2-4' (0.5-1.2m)
------------------------	-----------------

Transom quantity	2-6
------------------	-----

Installation depth (to top of fixture)	4-8in (10-20cm)
--	-----------------

### TECHNICAL

Lumens*	5800
---------	------

Fixture Lumens*	4500
-----------------	------

Typical LED life expectancy	40,000+ Hours
-----------------------------	---------------

Minimum-Maximum operating voltage DC	9-32V DC
--------------------------------------	----------

Current / Amp draw (DC) (Amperage draw for Colours models vary by colour selected, this is the maximum)	12V DC 3.2A 24V DC 1.5A
---	----------------------------

Approx. Light penetration (avg. water quality)	40' (12m)
--	-----------

Approx. Light penetration (perfect water quality)	Up to 100' (30+m)
---	-------------------

Driver type	Internal, Reverse Polarity Protected
-------------	--------------------------------------

### PHYSICAL

Total weight	860g (1.90lbs)
--------------	----------------

Extension cable length (standard)	9.84' (3m)
-----------------------------------	------------

Hole cut-out for cable entry	0.5" (12.5mm)
------------------------------	---------------

Material	Chemically resistant optical polymer
----------	--------------------------------------

**NOTE:** When installed for DMX use, light cables cannot be extended further than the supplied 3m between junction box and light.

\*Fixture Lumens rating is a measurement of total white light output from a complete (as sold) light fixture using laboratory standard, calibrated photometric measuring equipment.

# Sport Series

The OceanLED Sport series is the perfect choice for fishing and cruising in small to medium sized boats.







# SPORT SERIES PRODUCT GUIDE

## SURFACE MOUNT



### KEY FEATURES



5,000\*  
Fixture Lumens



90°  
Top Beam



20°  
Side Beam



Rectangular  
Beam Shape

\* White measurement of S3116s Ultra White

### MODEL COLOUR PART#



**S3116s**  
Ultra White  
012102W



**S3116s**  
Midnight Blue  
012101B



**S3124s**  
Dual White/Blue  
012103BW

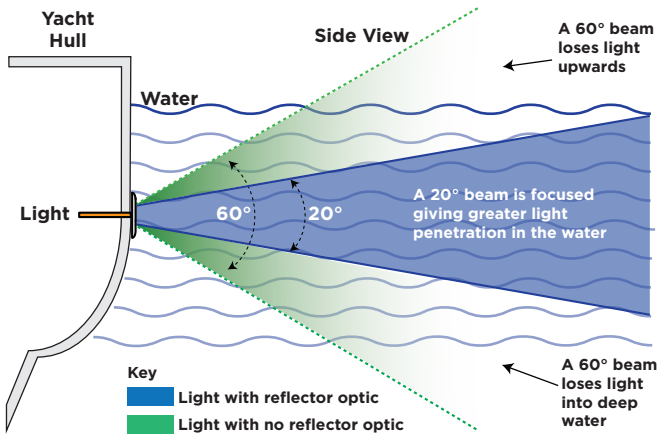


**S3166s**  
Colour Scroll  
012110C

### BENEFITS OF OCEANLED REFLECTOR OPTICS

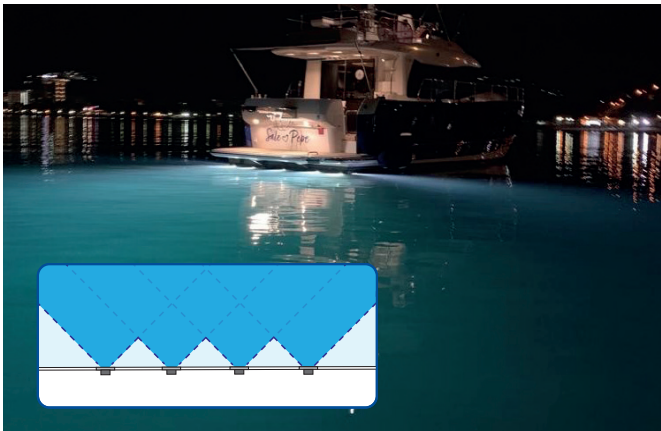
#### Superior Light Distribution Due To Advanced Optics

- New generation innovative, efficient reflector optics.
- Focused side beam produces a blade of light under the water that penetrates further.
- All available light is directed with minimal loss.



#### Explore Series Defined 90° x 20° Beam

The defined 90° beam, using advanced reflector optics, when viewed from above reduces the dark areas close to the hull.



### ULTRA WHITE / MIDNIGHT BLUE (S3116s)

Packing an impressive 5,000 fixture lumens (Ultra White) into a low profile, compact design with Midnight Blue and Ultra White light options.

### DUAL BLUE WHITE (S3124s)

With twice the number of LEDs as its competitors, the dual colour S3124s is the leader in its class.

### FULL RGBW MULTI-COLOUR (S3166s)

With up to 3,500 fixture lumens, it's the brightest in its class and allows you to choose any colour you wish.

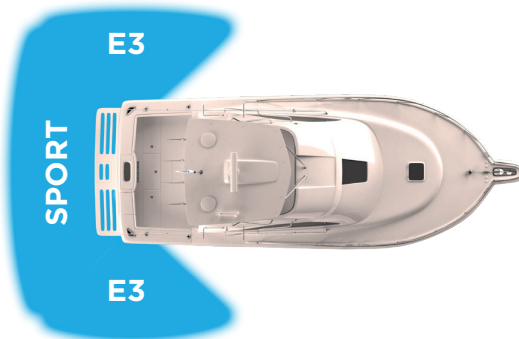
### COMPACT DESIGN

Made from corrosion resistant Alu Bronze, there is a lot packed into this 10cm light.



### COMPATIBLE WITH EXPLORE E3

The Explore E3 has equivalent optics and light output to the Sport Series. You can achieve the perfect halo effect by combining Sport on the transom, with E3 on either side. For AC installations contact OceanLED.

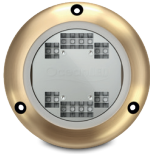




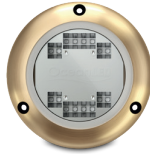
## CHOOSE YOUR SPORT SERIES MODEL

**S3116s**

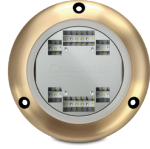
#012102W  
(Ultra White)  
• LED Light and Cable  
• Fuse Kit  
• Mounting Screws

**S3116s**

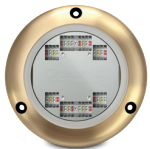
#012101B  
(Midnight Blue)  
• LED Light and Cable  
• Fuse Kit  
• Mounting Screws

**S3124s**

#012103BW  
(Dual Blue/White)  
• LED Light and Cable  
• Fuse Kit  
• Mounting Screws

**S3166s**

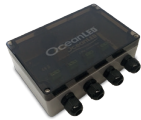
#012110C  
(Colour Scroll)  
• LED Light and Cable  
• Fuse Kit  
• Mounting Screws



## CONNECT POWER &amp; FUSE KIT



Fuse Kit  
(Included with all models)



#019901  
4 way Power Junction Box  
OR  
3rd Party Junction Box



## CONTROL VIA 3RD PARTY SWITCH

The various modes below are achieved by toggling the power switch on and off. Check manual for setting power-on colour.

**S3116s Single Colour Strobe**

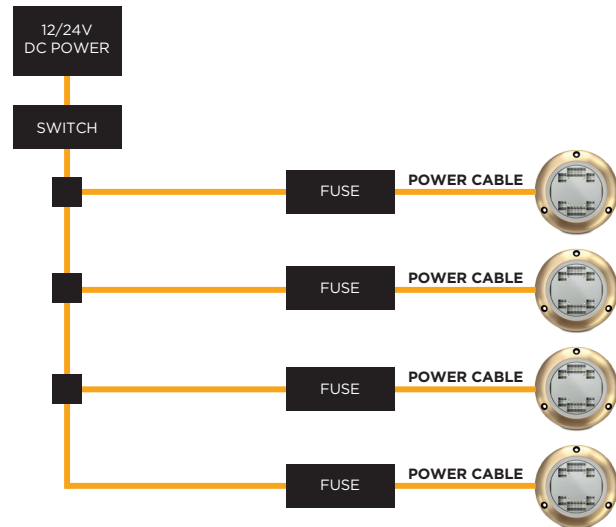
To enter strobe mode, quickly toggle the power on and off twice. Then power back on. The lights now strobe in a random pattern. The lights can be reset from strobe mode after 20 seconds of use. Simply turn the lights off then back on again.

**S3124s Dual Colour Modes**

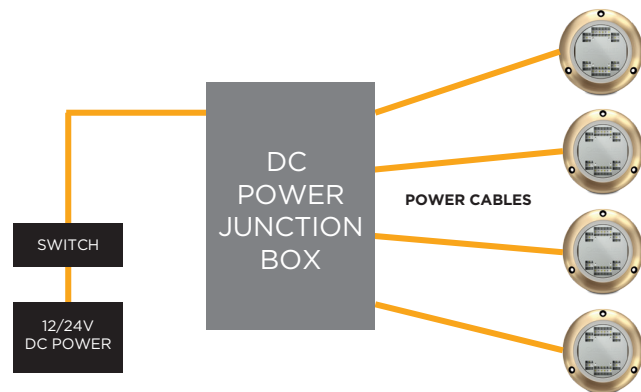
1. Single colour white - this mode is entered when the light is first turned on
2. Single colour blue
3. Fade - fade between white and blue
4. Random white strobe
5. Random blue strobe
6. Alternate blue/white strobe
7. Dual colour (blue and white both on)

**S3166s Colour Scroll Cycle**

1. Blue
  2. White
  3. Green
  4. Blue
  5. Red
  6. Green (then repeat)
- Other modes - Single Colour, Strobe



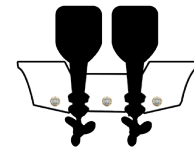
## WIRING SCHEMATIC WITH JUNCTION BOX



## TRANSOM PLACEMENT

Perfect for transoms. Mount underwater, in an even spread around your engines.

- **Small Boats (Outboard)**  
Example placement for a smaller boat with 2 outboard engines.



- **Larger Boats (Inboard)**  
Example placement for larger boats with inboard engines.



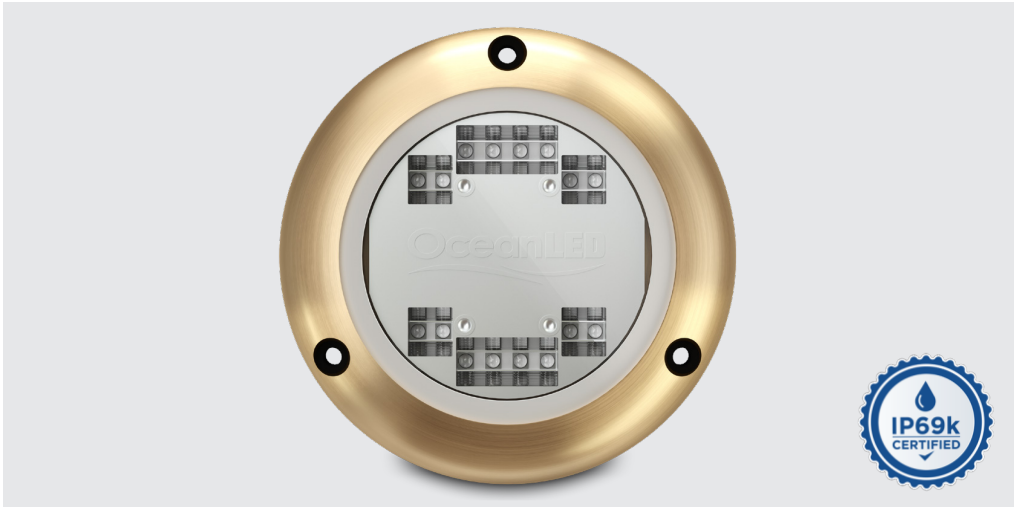
## ACTIVE THERMAL CONTROL

ATC prevents overheating. In the event of overheating the ATC system will reduce the LED power level in order to protect the LEDs, or in extreme cases, turn off the fixture completely.



# SPORT S3116S

SURFACE MOUNT



The OceanLED Sport series is the perfect choice for fishing and cruising in small to medium sized boats.

#### KEY FEATURES



Up To 5,000 Fixture Lumens



90° Top Beam



20° Side Beam



Rectangular Beam

#### COLOUR PART#



Ultra White  
**012102W**

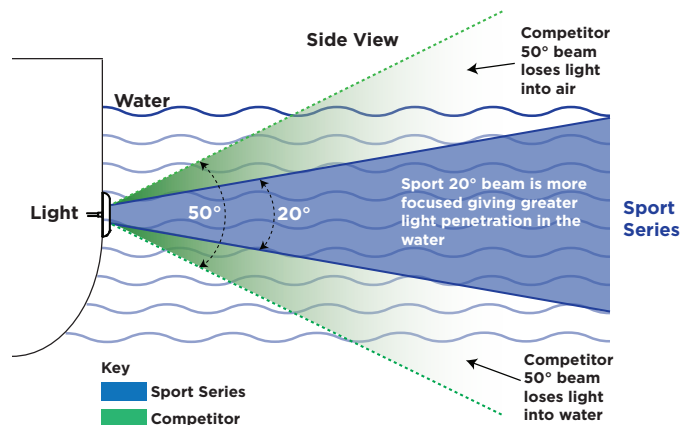


Midnight Blue  
**012101B**

Packing an impressive 5,000 fixture lumens into a low profile, compact design with Midnight Blue and Ultra White light options.

Advanced optics, designed exclusively by OceanLED, offer a truly striking 90° top beam angle with a focused 20° side beam angle providing greater water penetration and a significantly larger area illuminated without any loss.

- 20% brighter than its competitors, illuminating a significantly larger area.
- 60% narrower focused side beam angle providing greater water penetration.
- True 90° beam angle with no fading at the edge gives better illumination.



## 11,600 LUMENS / 5,000 FIXTURE LUMENS

Best-in-class performance from this ultra-bright light makes it the obvious choice for those who want to stand out from the crowd.

## 90°/20° BEAM ANGLE

A true wide-angled, focused beam lights up a large area of the water.

## COMPACT AND SIMPLE DESIGN

Made from corrosion resistant Alu Bronze, there is a lot packed into this 10cm light.

## SIMPLE TO INSTALL

12.5mm hole in the hull to feed the cable through and 3 screws to hold in place. No bonding required.

## EASY TO CLEAN

Thanks to its Tritonium coating, a simple wipe of the lens removes any underwater growth, saving hours of scrubbing each time you use it.

## FISH-STROBE MODE

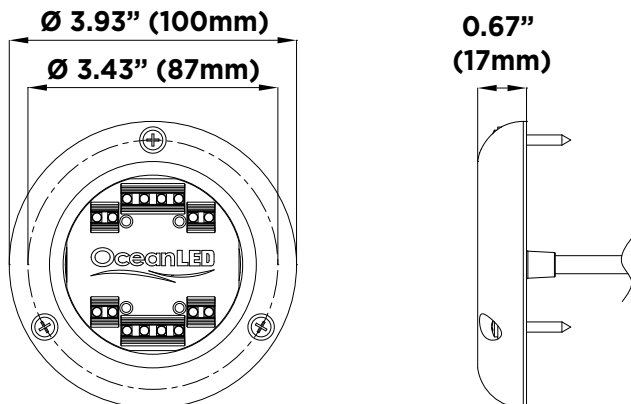
Exceptionally bright, randomised strobing of the light is proven to attract more fish and catch more bait.

## ACTIVE THERMAL CONTROL

ATC prevents overheating. In the event of overheating the ATC system will reduce the LED power level in order to protect the LEDs, or in extreme cases, turn off the fixture completely.

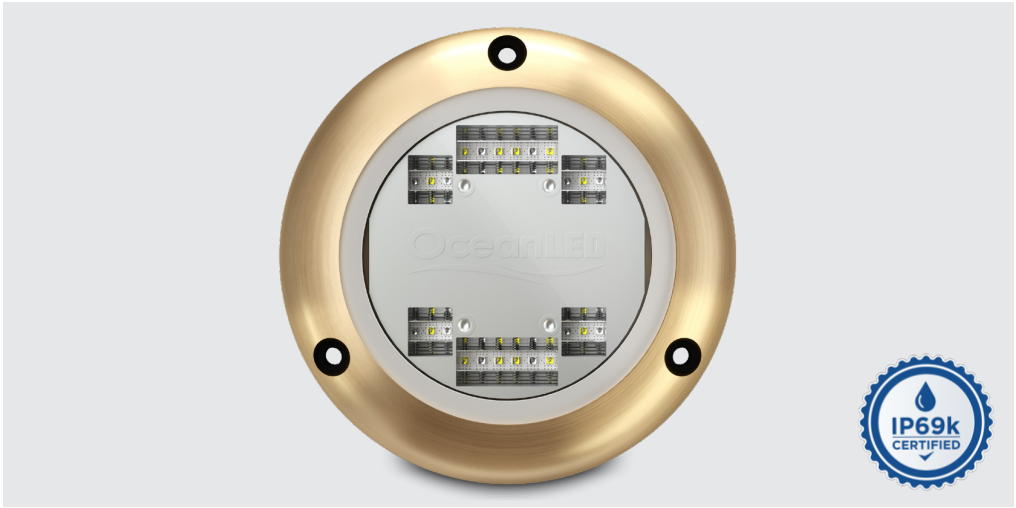
## S3116s SPECIFICATIONS

BOX CONTENTS	
Sport Series LED Light and Cable	
In-line Fuse Kit	
Mounting Screws	
Quick Install Guide	
ACCESSORIES	PART
4 Way V DC Power Junction Box	019901
MOUNTING RECOMMENDATIONS	
Boat size	Up to 65' (20m)
Transom / Hull spacing	2-4' (0.5-1.2m)
Transom quantity	2-6
Installation depth (To top of fixture)	8-10" (20-25cm)
TECHNICAL	
Lumens	11600
Fixture Lumens	5000
Typical LED life expectancy	40,000+ Hours
Minimum-Maximum operating voltage DC	9-32V DC
Current / Amp draw (DC) (Amperage draw for Colours models vary by colour selected, this is the maximum)	12V DC 5.5A 24V DC 2.4A
Driver type	Internal, Reverse Polarity Protected
PHYSICAL	
Total weight	700g
Extension cable length (standard)	9.84' (3m)
Hole cut-out for cable entry	0.5" (12.5mm)
Material	AB2 Aluminium Bronze



\*Fixture Lumens rating is a measurement of total white light output from a complete (as sold) light fixture using laboratory standard, calibrated photometric measuring equipment.





The OceanLED Sport series is the perfect choice for fishing and cruising in small to medium sized boats.

**KEY FEATURES**



Up To 3,000 Fixture Lumens



90° Top Beam



20° Side Beam



Rectangular Beam

**COLOUR PART#**

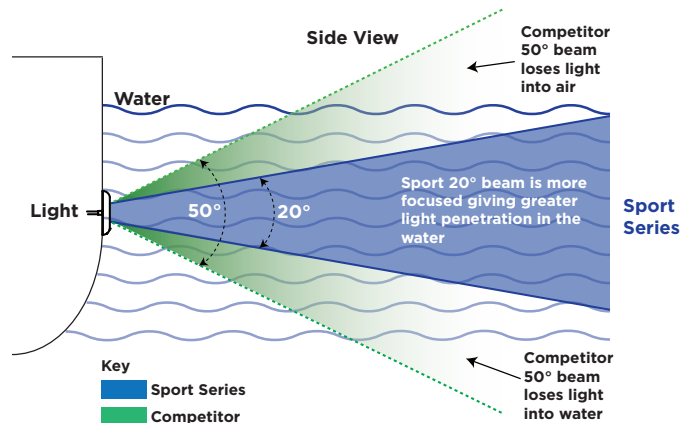


Dual White/Blue  
**012103BW**

Advanced optics, designed exclusively by OceanLED create an optically efficient 90° top beam angle with a focused 20° side beam displaying a striking amount of water penetration and a significantly larger illuminated area.

With twice the amount of LEDs as its competitors, the dual colour S3124s is the leader in its class. Simply toggle the power between white, blue, strobe and fade modes.

- Twice the amount of LEDs than its competitors, illuminating a larger area.
- 60% narrower focused side beam angle providing greater water penetration.
- True 90° beam angle with no fading at the edge gives better illumination.



## 5,600 LUMENS / 3,000 FIXTURE LUMENS

Outstanding performance from this small, bright light makes it the obvious choice for those who want to stand out from the crowd.

## 90°/20° BEAM ANGLE

A true wide-angled, focused beam lights up a large area of the water.

## COMPACT AND SIMPLE DESIGN

Made from corrosion resistant Alu Bronze, there is a lot packed into this 10cm light.

## SIMPLE TO INSTALL

12.5mm hole in the hull to feed the cable through and 3 screws to hold in place. No bonding required.

## EASY TO CLEAN

Thanks to its Tritonium coating, a simple wipe of the lens removes any underwater growth, saving hours of scrubbing each time you use it.

## ADVANCED MODES

Randomised strobing with fish-strobe and fade between blue/white. Select your desired startup colour.

## ACTIVE THERMAL CONTROL

ATC prevents overheating. In the event of overheating the ATC system will reduce the LED power level in order to protect the LEDs, or in extreme cases, turn off the fixture completely.

## S3124s SPECIFICATIONS

### BOX CONTENTS

Sport Series LED Light and Cable

In-line Fuse Kit

Mounting Screws

Quick Install Guide

### ACCESSORIES PART

4 Way V DC Power Junction Box	019901
-------------------------------	--------

### MOUNTING RECOMMENDATIONS

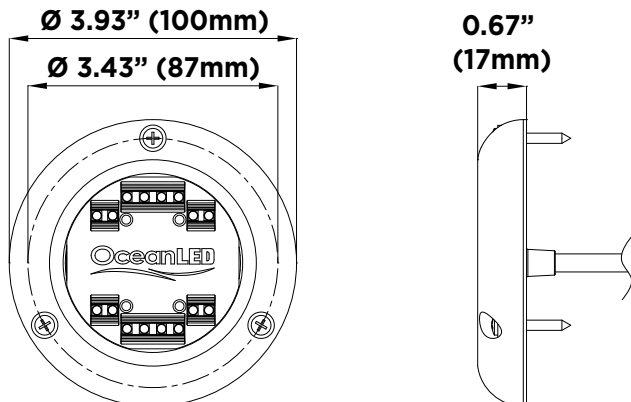
Boat size	Up to 65' (20m)
Transom / Hull spacing	2-4' (0.5-1.2m)
Transom quantity	2-6
Installation depth (To top of fixture)	8-10" (20-25cm)

### TECHNICAL

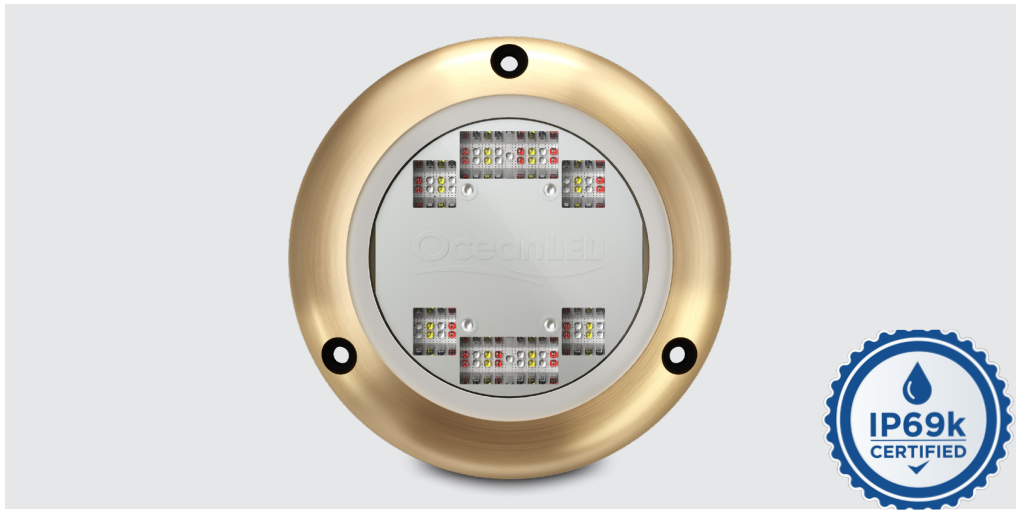
Lumens	5600
Fixture Lumens	3000
Typical LED life expectancy	40,000+ Hours
Minimum-Maximum operating voltage DC	9-32V DC
Current / Amp draw (DC) (Amperage draw for Colours models vary by colour selected, this is the maximum)	12V DC 3.6A 24V DC 1.7A
Driver type	Internal, Reverse Polarity Protected

### PHYSICAL

Total weight	700g
Extension cable length (standard)	9.84' (3m)
Hole cut-out for cable entry	0.5" (12.5mm)
Material	AB2 Aluminium Bronze



\*Fixture Lumens rating is a measurement of total white light output from a complete (as sold) light fixture using laboratory standard, calibrated photometric measuring equipment.



The OceanLED Sport series is the perfect choice for fishing and cruising in small to medium sized boats.

**KEY FEATURES**



Up To 3,500 Fixture Lumens



90° Top Beam



20° Side Beam



Rectangular Beam

**COLOUR PART#**

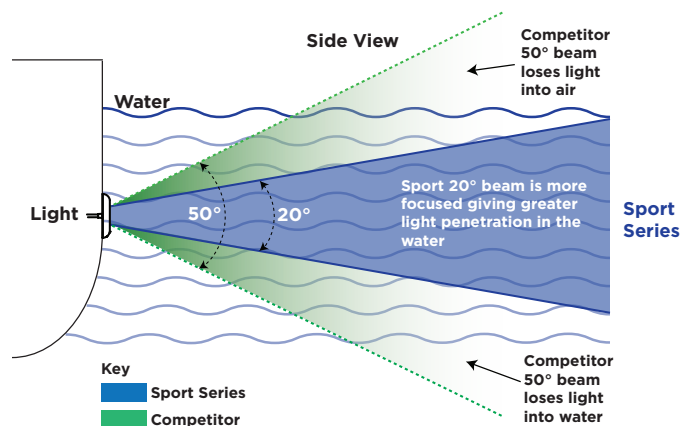


Multi-Colour  
**012110C**

With up to 3,500 fixture lumens, it's the brightest in its class and allows you to choose any colour you wish.

Advanced optics, designed exclusively by OceanLED, offer a truly striking 90° surface beam angle with a focused 20° side beam angle providing greater water penetration and a significantly larger area illuminated without any loss.

- More dedicated LED's per colour than leading competitors
- 60% narrower focused side beam angle providing greater water penetration.
- Choose any colour you wish or scroll through the spectrum.



## 8,448 LUMENS / 3,500 FIXTURE LUMENS

Best-in-class performance from this ultra-bright light makes it the obvious choice for those who want to stand out from the crowd.

## Full RGBW Multi-Colour

Whether fishing or enjoying time on the water with friends of family, you can choose the perfect colour.

## 90°/20° BEAM ANGLE

A true wide-angled, focused beam lights up a large area of the water.

## COMPACT AND SIMPLE DESIGN

Made from corrosion resistant Alu Bronze, there is a lot packed into this 10cm light.

## SIMPLE TO INSTALL

12.5mm hole in the hull to feed the cable through and 3 screws to hold in place. No bonding required.

## EASY TO CLEAN

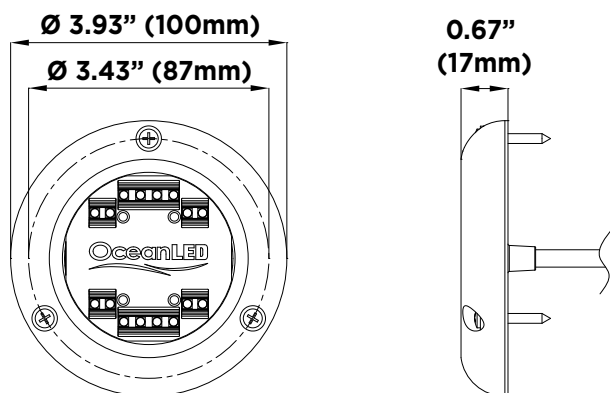
Thanks to its Tritonium coating, a simple wipe of the lens removes any underwater growth, saving hours of scrubbing each time you use it.

## FISH-STROBE MODE

Exceptionally bright, randomised strobing of the light is proven to attract more fish and catch more bait.

## ACTIVE THERMAL CONTROL

ATC prevents overheating. In the event of overheating the ATC system will reduce the LED power level in order to protect the LEDs, or in extreme cases, turn off the fixture completely.



## S3166s SPECIFICATIONS

BOX CONTENTS	
Sport Series LED Light and Cable	
In-line Fuse Kit	
Mounting Screws	
Quick Install Guide	
ACCESSORIES	PART
4 Way V DC Power Junction Box	019901
MOUNTING RECOMMENDATIONS	
Boat size	Up to 65' (20m)
Transom / Hull spacing	2-4' (0.5-1.2m)
Transom quantity	2-6
Installation depth (To top of fixture)	8-10" (20-25cm)
TECHNICAL	
Lumens	8448
Fixture Lumens	3500
Typical LED life expectancy	40,000+ Hours
Minimum-Maximum operating voltage DC	9-32V DC
Current / Amp draw (DC) (Amperage draw for Colours models vary by colour selected, this is the maximum)	12V DC 5.5A 24V DC 2.4A
Driver type	Internal, Reverse Polarity Protected
PHYSICAL	
Total weight	700g
Extension cable length (standard)	9.84' (3m)
Hole cut-out for cable entry	0.5" (12.5mm)
Material	AB2 Aluminium Bronze

\*Fixture Lumens rating is a measurement of total white light output from a complete (as sold) light fixture using laboratory standard, calibrated photometric measuring equipment.



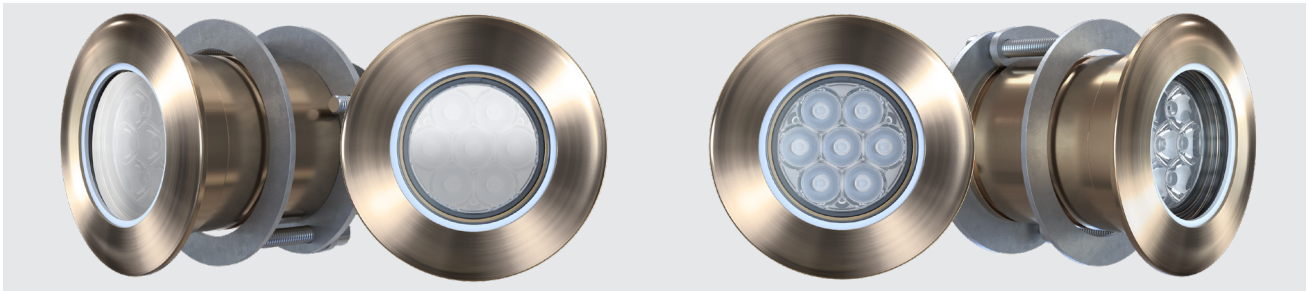
# Explore Series

OceanLED Explore Series is the ultimate choice, flush mount underwater LED light for those who want to be seen.

Incredible performance in a low profile, Xchangeable Flush Mount body.



# EXPLORE E2 (XFM)



**KEY FEATURES**



3,000\*  
Fixture Lumens  
\* Ultra White measurement



Wide  
Beam Option



Narrow  
Beam Option



IP69k  
Protection

**COLOUR**



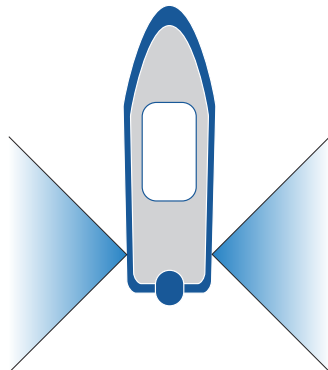
Midnight Blue



Ultra White

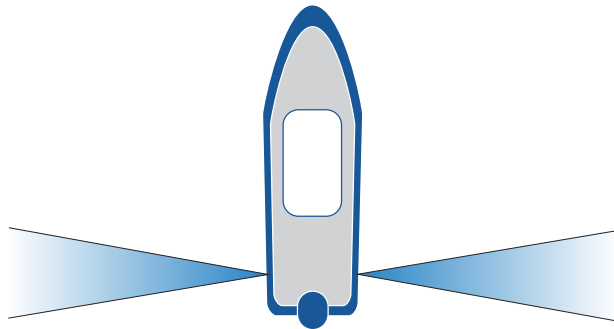
**WIDE BEAM OPTION 90° x 20° (ELLIPTICAL)**

With the wide angle beam option, the E2 has the same in-water lighting effect as the larger lights in the series, providing a wide-angled, focused top beam that lights up a large area of water, flooding it with light.



**NARROW BEAM OPTION 20° (CIRCULAR)**

The narrow beam option provides a more intense laser like effect in the water that penetrates further, giving an alternative effect for your boat.

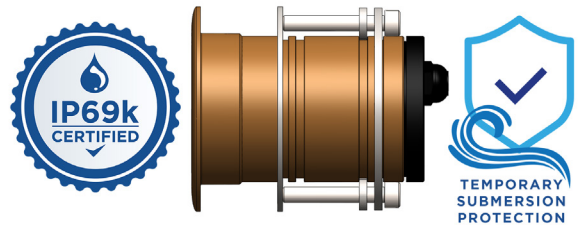


**IP69k PROTECTION**

The Explore E2 XFM Series is rated at IP69k, the highest achievable rating of protection against water ingress. IP69k goes one step further than the industry standard IP68, giving you additional protection and peace of mind.

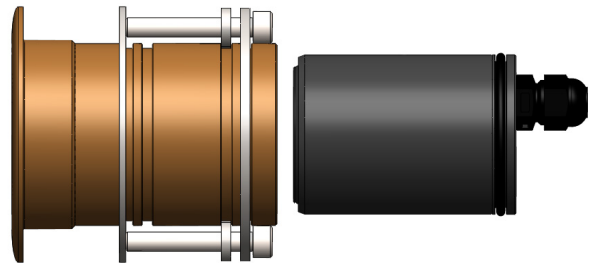
**TEMPORARY REAR SUBMERSION PROTECTION**

The rear of the light is protected from in-hull temporary submersion for boats where rough seas and waves sometimes flood the stern.



**COMPACT XFM DESIGN**

The Explore E2 is very compact in size, while having the same XFM capabilities as the larger lights in the range, being able to remove the light body for maintenance or upgrades, without the need to haul the boat.



**LOW PROFILE**

The ultra low profile outer face of the housing is designed for boats wanting to go fast with minimal impact on speed and flow of water over the hull.





EXPLORE E2 CHOOSE YOUR LIGHT SETUP



CHOOSE YOUR EXPLORE E2 MODEL

WIDE BEAM OPTION

#E2009W  
**Explore E2 (Ultra White)**  
 • Light Assembly  
 • Clamping Kit  
 • Fuse Kit

#E2009B  
**Explore E2 (Midnight Blue)**  
 • Light Assembly  
 • Clamping Kit  
 • Fuse Kit



NARROW BEAM OPTION

#E2002W  
**Explore E2 (Ultra White)**  
 • Light Assembly  
 • Clamping Kit  
 • Fuse Kit

#E2002B  
**Explore E2 (Midnight Blue)**  
 • Light Assembly  
 • Clamping Kit  
 • Fuse Kit



CONNECTION ACCESSORIES



#019901  
**OceanLED 4-Way Power Junction Box**

OPERATION

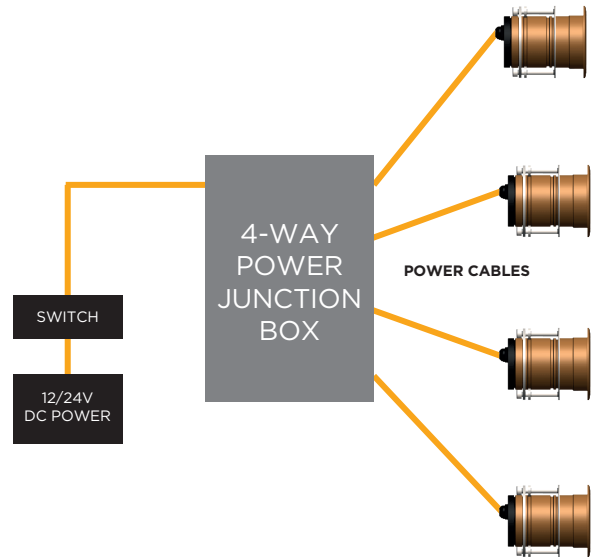


CONTROL VIA 3RD PARTY SWITCH

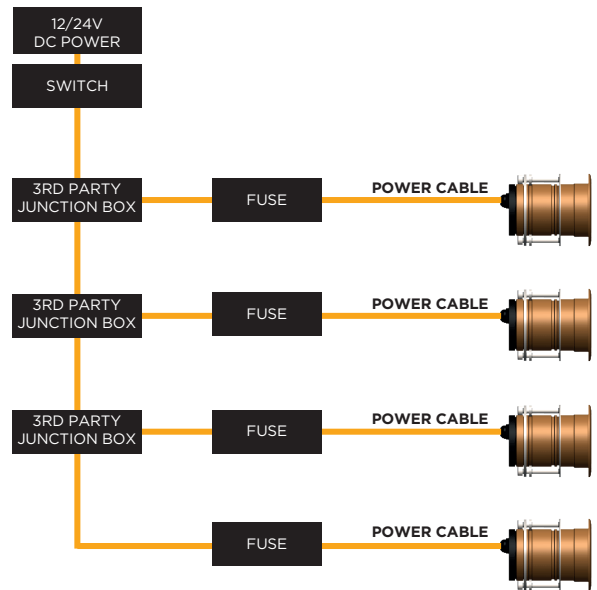
A 3rd party switch is required for operation and additional fish strobe mode feature.

Please see operation manual for full instructions

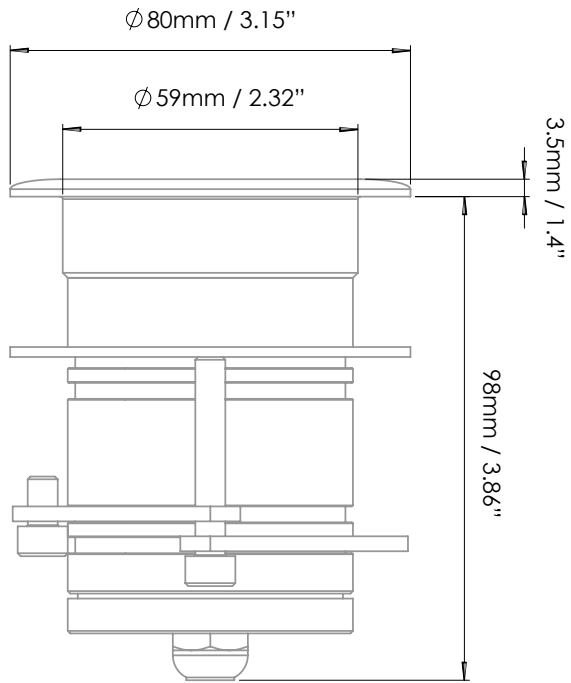
WIRING SCHEMATIC WITH POWER JUNCTION BOX



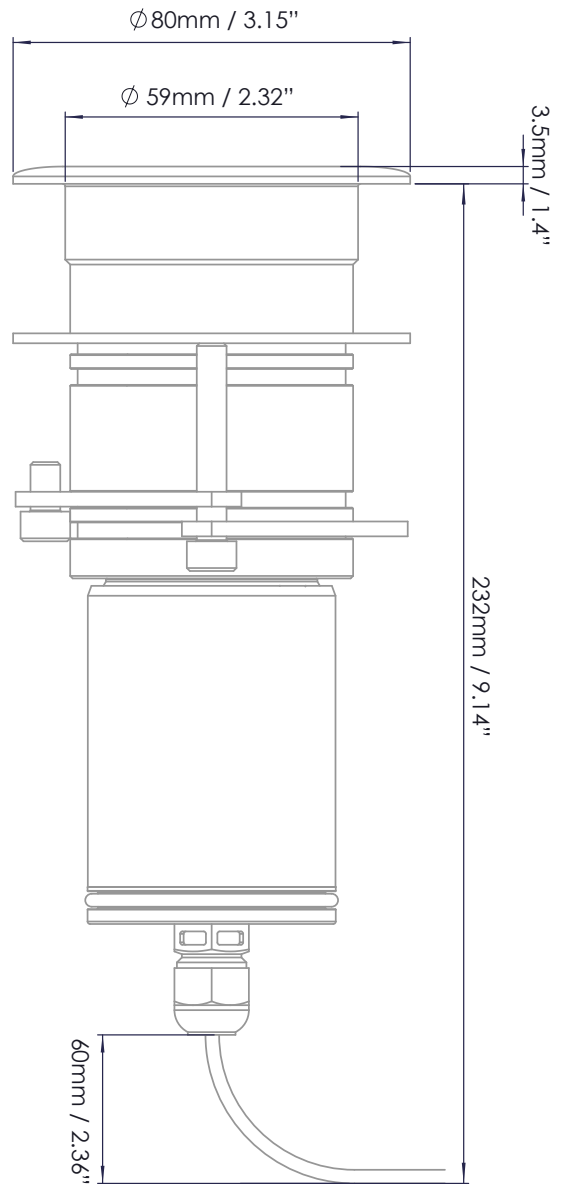
WIRING SCHEMATIC WITH 3RD PARTY JUNCTION BOX



EXPLORE E2 DIMENSIONS

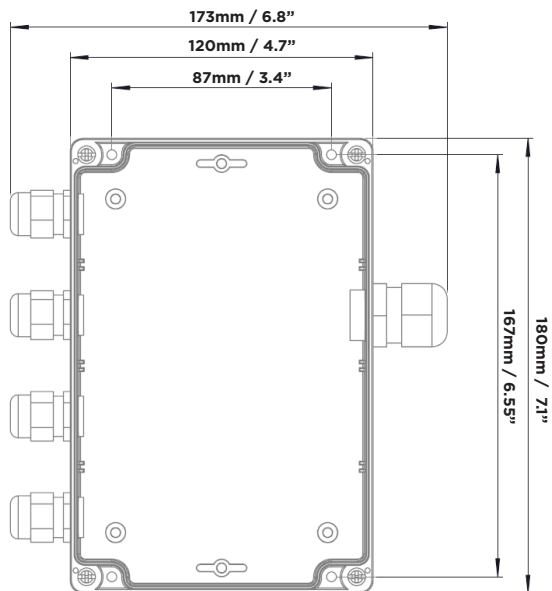


EXPLORE E2 LIGHT CARTRIDGE REMOVAL DIMENSIONS



4-WAY POWER JUNCTION BOX ACCESSORY

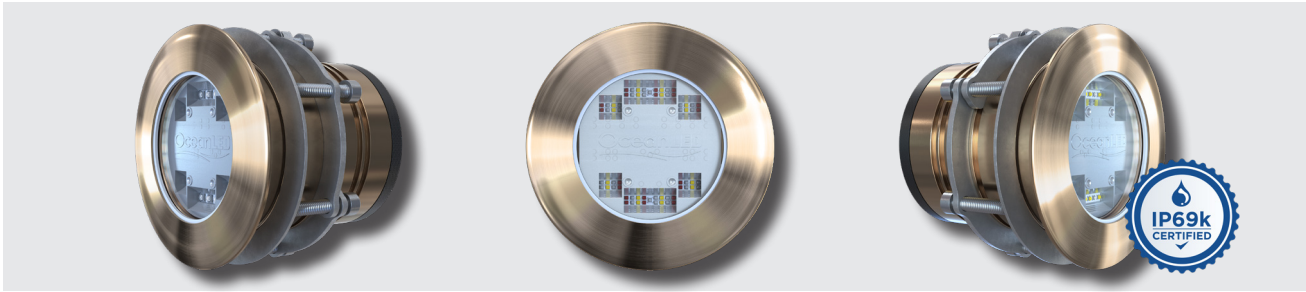
Part Number	019901
Material / Colour	Polycarbonate
Weight	460g
IP Rating	IP66





BOX CONTENTS	
Explore E2 Light Assembly & Clamping Kit	
In-line Fuse Kit	
Product Manual	
ACCESSORIES	PART
4 Way V DC Power Junction Box	019901
60mm XFM Isolation Kit	019912
MOUNTING RECOMMENDATIONS	
Boat size	Up to 20m (65')
Transom / Hull spacing	1 - 1.5m (3-5')
Installation depth below waterline	10-20cm (4-8")
Maximum Hull Thickness	60mm (2.4")
TECHNICAL	
Fixture Lumens (Ultra White)	3,000
Beam Angle (Wide Option)	Elliptical 90° x 20°
Beam Angle (Narrow Option)	Circular 20°
Min-Max Operating voltage DC	10-30V DC
Current / Amp draw (12V DC / 24V DC):	3.5A@12V DC 1.5A@24V DC
Correlated Colour Temp (White)	6500k
IP Rating (Front Face)	IP69k
Rear Temporary Submersion Protection	Yes
Fish Strobe	Yes
LED Manufacturer	CREE
Driver type	Internal

PHYSICAL	
Total weight	0.8kg (1.76lbs)
Total Diameter (Including Bezel)	80mm (3.15")
Diameter Of Body	59mm (2.32")
Profile Of Fixture	3.5mm (0.14")
Overall Length (Excluding Cable)	101.5mm (4")
Minimum Space Required Inside The Hull	232mm (9.14")
Hole Cut-Out	60mm (2.37")
Material (Mounting Tube / Bezel)	AB2 Aluminium Bronze
Material (Light Body)	Anodised Aluminium
Lens	Glass
Optics (Wide Beam Option)	Hybrid Collimated
Optics (Narrow Beam Option)	Collimated
CE Approved	Yes
APPROVALS	
RINA (Pending)	
ABS (Pending)	



**KEY FEATURES**



5,000\*  
Fixture Lumens

\* White measurement of E3009W Ultra White



90°  
Top Beam



20°  
Side Beam



Rectangular  
Beam Shape

**COLOUR PART#**



Ultra White  
E3009W



Midnight Blue  
E3009B



Dual White/Blue  
E3009BW

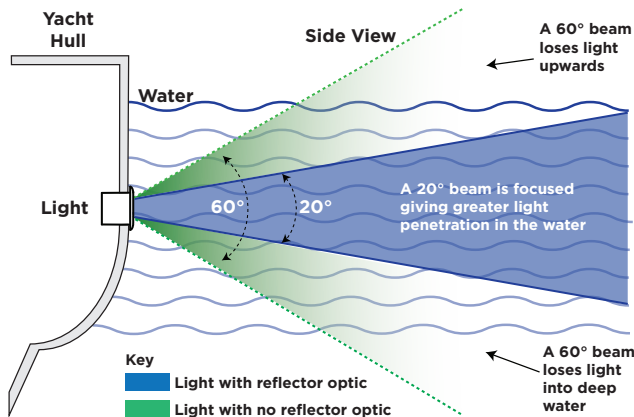


Colour Scroll  
E3009CS

**BENEFITS OF OCEANLED REFLECTOR OPTICS**

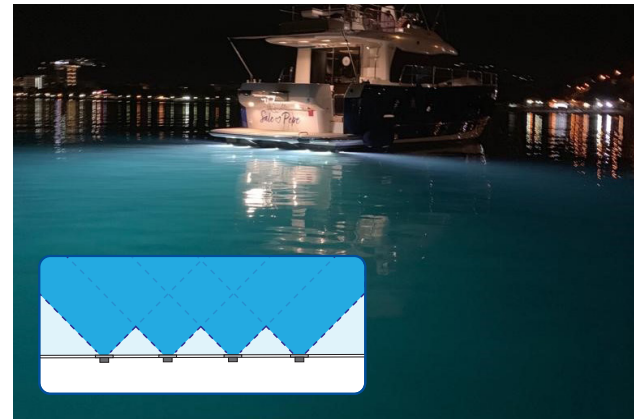
**Superior Light Distribution Due To Advanced Optics**

- New generation innovative, efficient reflector optics.
- Focused side beam produces a blade of light under the water that penetrates further.
- All available light is directed with minimal loss.



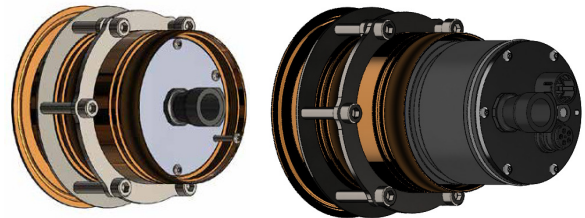
**Explore Series Defined 90° x 20° Beam**

The defined 90° beam, using advanced reflector optics, when viewed from above reduces the dark areas close to the hull.



**IP69k XCHANGEABLE FLUSH MOUNT (XFM)**

XFM models, or Xchangeable Flush Mounts, are just that - they are exchangeable without hauling should servicing ever be needed. The Explore XFM Series is now rated at IP69k, the highest achievable rating of protection against water ingress. IP69k goes one step further than the industry standard IP68, giving you additional protection and piece of mind.



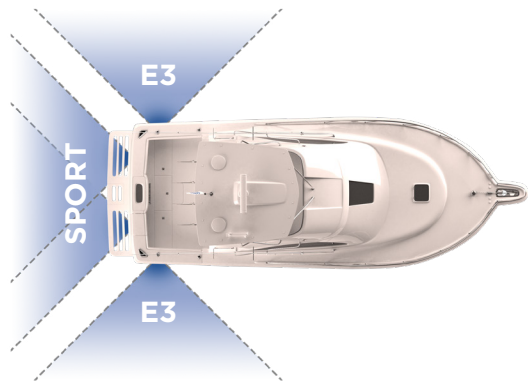
**LOW PROFILE**

The ultra low profile outer face of the housing is designed for boats wanting to go fast and has no impact on speed or flow of water over the hull.



**COMPATIBLE WITH SPORT SERIES**

The Sport Series has the equivalent optics and light output to the Explore E3. You can achieve the perfect halo effect by combining Sport on the transom, with E3 on either side. For AC installations contact OceanLED.





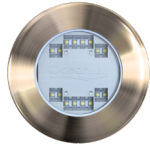
EXPLORE E3 CHOOSE YOUR LIGHT SETUP



CHOOSE YOUR EXPLORE SERIES MODEL

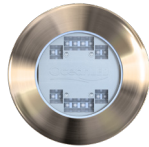
**OPTION 1**

- #E3009W
- Explore E3 (Ultra White)
- Light Assembly
- Fuse Kit
- DC Power Cable



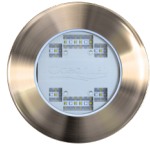
**OPTION 2**

- #E3009B
- Explore E3 (Midnight Blue)
- Light Assembly
- Fuse Kit
- DC Power Cable



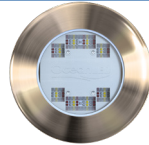
**OPTION 3**

- #E3009BW
- Explore E3 (Blue/White)
- Light Assembly
- Fuse Kit
- DC Power Cable



**OPTION 4**

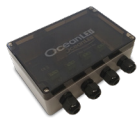
- #E3009CS
- Explore E3 (Colour Scroll)
- Light Assembly
- Fuse Kit
- DC Power Cable



CONNECT POWER & FUSE KIT



- Fuse Kit
- (Included with all models)



- #019901
- 4 way Power Junction Box
- or
- 3rd Party Junction Box



CONTROL VIA 3RD PARTY SWITCH

The various modes below are achieved by toggling the power switch on an off. Check manual for setting power-on colour.

**Explore Single Colour**

To enter strobe mode, quickly toggle the power on and off twice. Then power back on. The lights now strobe in a random pattern. The lights can be reset from strobe mode after 20 seconds of use. Simply turn the lights off then back on again.

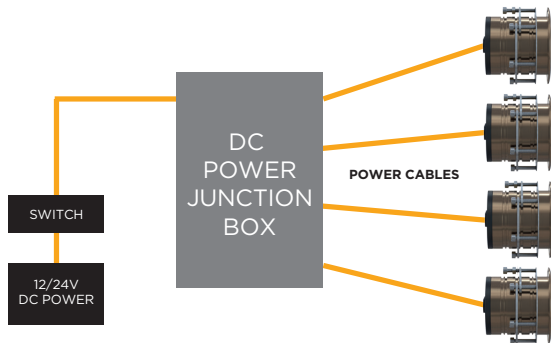
**Explore E3 Dual Colour Modes**

1. Single colour white - this mode is entered when the light is first turned on.
2. Single colour blue
3. Fade - fade between white and blue
4. Random white strobe
5. Random blue strobe
6. Alternate blue/white strobe
7. Dual colour (blue and white both on)

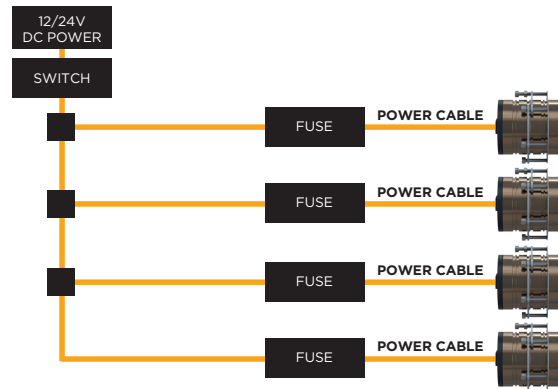
**Explore E3 Colour Scroll Cycle**

1. Blue
  2. White
  3. Green
  4. Blue
  5. Red
  6. Green (then repeat)
- Other modes - Single Colour, Strobe

WIRING SCHEMATIC WITH JUNCTION BOX

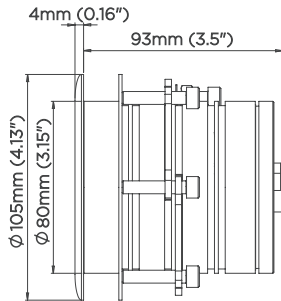


CONTROL / WIRING SCHEMATIC

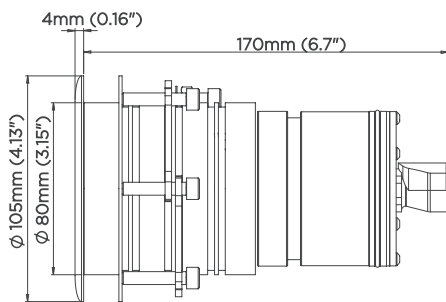


EXPLORE E3 DIMENSIONS

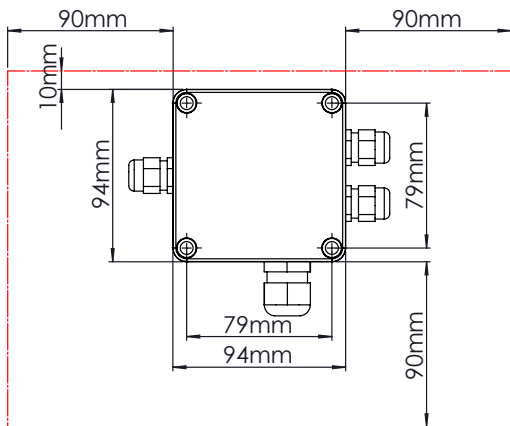
LIGHT ENGINE INSTALLED



LIGHT ENGINE WITHDRAWN



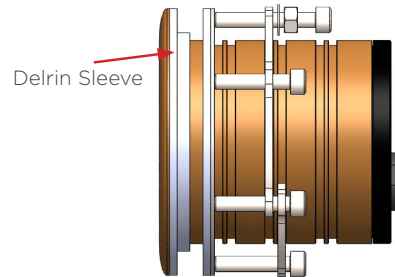
DC JUNCTION BOX	
Height, Width, Depth Minimum Clearance Zone	94mm x 94mm x 58mm 194mm x 274mm
Material / Colour	Polymer / RAL 7035
Weight	0.3kg
IP Rating	IP65
Maximum Ambient Temperature	50°C



MINIMUM CLEARANCE ZONE

EXPLORE XFM ISOLATION KIT

Isolation Kit (001-500638) must be used if installing the E3 on metal, carbon fibre and wooden hulled yachts.



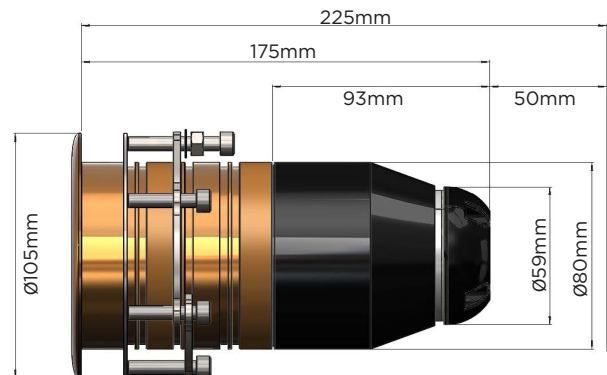
EXPLORE XFM EXTENSION KIT

Extension kit is required for hulls thicker than 55mm.



EXPLORE XFM REAR ENCLOSURE KIT

Isolation Kit (001-500638) must be used if installing the E3 on metal, carbon fibre and wooden hulled yachts.





PRODUCT GUIDE/overview  
**EXPLORE E3** (XFM)



**BOX CONTENTS - E3009 VARIATIONS**

Explore E3 Light Cartridge,  
 Mounting Tube & Clamping Kit

1.5m DC Power Cable & In-line Fuse Kit

Removal Tool

Install Guide

**ACCESSORIES** **PART**

4 Way V DC Power Junction Box 019901

Explore AC Power Kit 019904

Explore XFM Isolation Kit 001-500638

Mounting Tube Extension Kit 019905

**MOUNTING RECOMMENDATIONS**

Boat size	
Transom / Hull spacing	0.5-1.2m (2-4')
Installation depth below waterline	25-30cm (10-12")
Maximum Hull Thickness	55mm (2.16")
Maximum Hull Thickness with Extension	119mm (4.7")

**TECHNICAL**

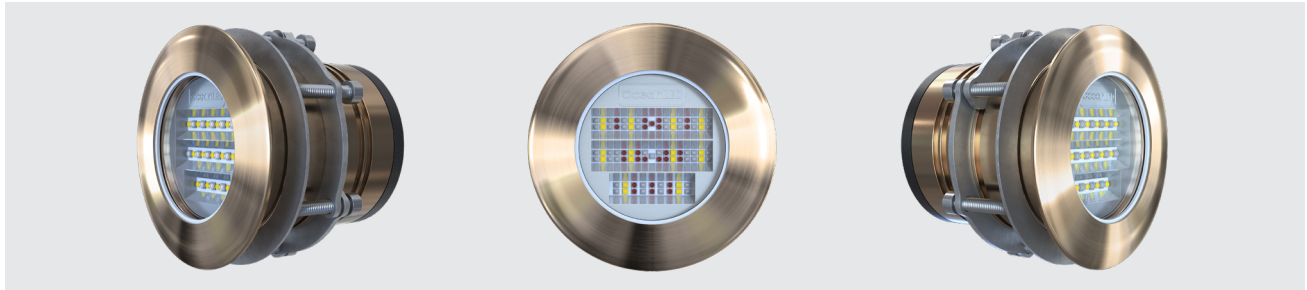
Lumens (Single Colour)	10,000
Lumens (Dual Colour)	5,600
Lumens (Colour Scroll)	8,500
Fixture Lumens (Single Colour)	*5,000
Fixture Lumens (Dual Colour)	*3,500
Fixture Lumens (Colour Scroll)	*3,000
Min-Max Operating voltage DC	9-32V DC
Current / Amp draw (12V DC / 24V DC):	
Single Colour	5.5A / 2.4A
Dual Colour	3.6A / 1.7A
Colour Scroll	5.5A / 2.4A
Min-Max Operating voltage AC (Optional)	100V - 240V AC
Current / Amp draw (110V AC / 230V AC):	
Single Colour	620mA / 290mA
Dual Colour	430mA / 210mA
Colour Scroll	620mA / 290mA
Driver type	Internal

**PHYSICAL**

Total weight	1.2kg (2.65lbs)
Total Diameter (Including Flange)	105mm (4.13")
Diameter Of Body	80mm (3.15")
Profile Of Fixture	4mm (0.16")
Overall Length	97mm (3.8")
Minimum Space Required Inside The Hull	170mm (6.55")
Hole Cut-Out	83mm (3.25")
Material (Mounting Tube)	AB2 Aluminium Bronze
Material (Light Body)	Aluminium

**APPROVALS**

RINA	
ABS	



**KEY FEATURES**



11,000\* Fixture Lumens

\* White measurement of E6009BW Dual White/Blue



90° Top Beam



20° Side Beam



Rectangular Beam Shape

**COLOUR PART#**



Dual White/Blue



Colours DMX

**LESS POWER USED AND SUPERIOR LIGHTING EFFECT**



**Less power used to deliver superior light effect due to advanced Optics**

- New generation innovative, efficient reflector optics.
- Focused side beam produces a blade of light under the water that penetrates further.
- All available light is directed with minimal loss.

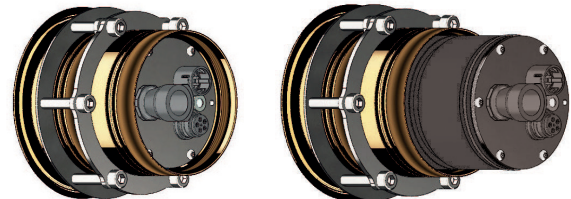
**IP69k SUPERIOR PROTECTION, TOTAL PEACE OF MIND**



IP69k, the highest achievable rating of protection against water ingress. IP69k goes one step further than the industry standard IP68, giving you additional protection and peace of mind.

**XCHANGEABLE FLUSH MOUNT (XFM)**

XFM models, or Xchangeable Flush Mount, are just that - they are exchangeable without hauling should servicing ever be needed.



**INTERNAL DRIVER**

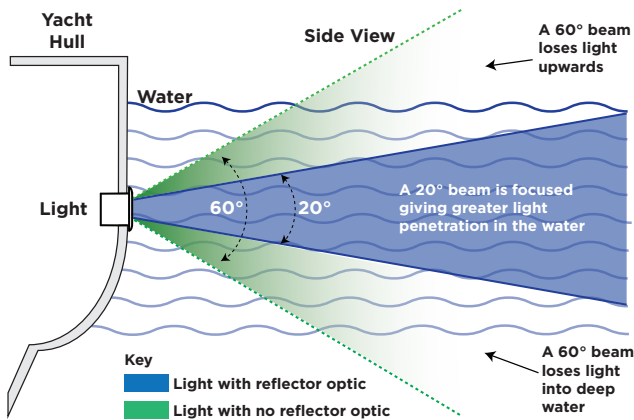
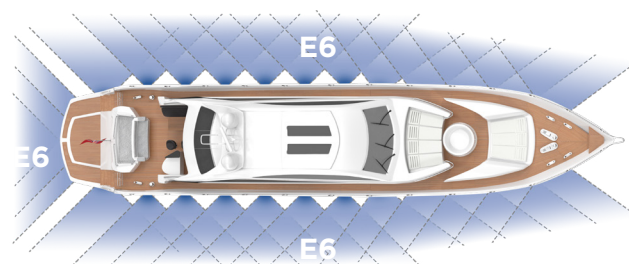
The compact size and built in driver mean less space is required inside the boat, allowing installation in tight areas.

**LOW PROFILE**

The ultra low profile bezel has no effect of the flow of water against the hull.

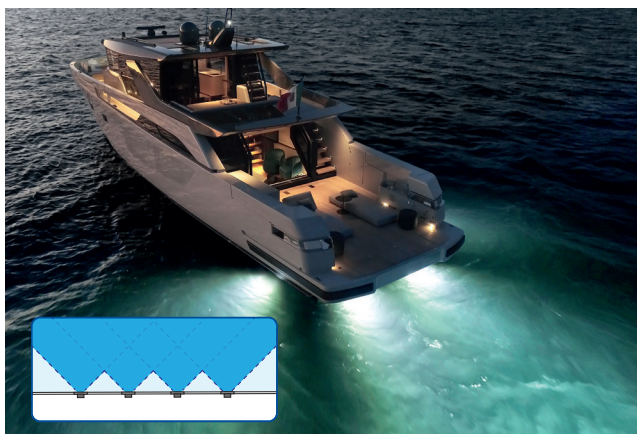


**EXPLORE E6 HALO EFFECT**



**Explore Series Defined 90° x 20° Beam**

The defined 90° beam, using advanced reflector optics, when viewed from above reduces the dark areas close to the hull.



# PRODUCT GUIDE/installation

## EXPLORE E6 (XFM)



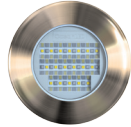
### EXPLORE E6 CHOOSE YOUR LIGHT SETUP

#### LIGHT



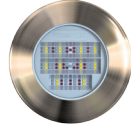
#### OPTION 1

#E6009BW  
**Explore E6 (Dual)**  
• Light Assembly



#### OPTION 2

#E6009CD  
**Explore E6 (Colours)**  
• Light Assembly



Choose either DC or AC Power Kits

#### POWER



#### OPTION 1

#019903  
**DC POWER KIT**  
• Power Cable  
• Fuse Kit



#### OPTION 2

#019904  
**AC POWER KIT**  
• Power Pack  
• Power Link Cable



Choose the method of how you control your lights  
(Each Control option comes with a 5m Control Input Cable Kit - Option 1)

#### CONTROL



#### OPTION 1

#012923  
**Switch / 3rd Party Control Input Kit**  
• Control Cable  
• Terminator



#### OPTION 2

See OceanDMX RC Guide for options  
**OceanDMX RC Explore Kit**  
• OceanDMX RC Remote  
• OceanDMX RC Receiver



#### OPTION 4

#013003 (Black)  
#01300W (White)  
**OceanDMX TP (Dual)**  
• DMX Touch Controller  
• #012923 Control Input Kit



#### OPTION 3

#013001 (Black)  
#013001W (White)  
**OceanDMX TP (Colours)**  
• DMX Touch Controller  
• #012923 Control Input Kit



#### OPTION 5

#013011 (Black Panel)  
#013010W (White Panel)  
**OceanDMX WTP PLUS (Dual Colour)**  
• DMX WiFi Controller  
• #012923 Control Input Kit



#### OPTION 6

#013010 (Black Panel)  
#013010W (White Panel)  
**OceanDMX WTP PLUS (Colours)**  
• DMX WiFi Controller  
• #012923 Control Input Kit



Select quantity of Control Link Cables based on quantity of lights  
(N.B. You need 1 Link Cable less than the number of lights fitted)

#### LINK



#### AS MANY AS REQUIRED

#012924  
**Control Link Cable (3m)**  
Select the quantity required (N.B. 1 cable less than No. of lights)

#012926  
**Control Link Cable (10m)**  
Select the quantity required (N.B. 1 cable less than No. of lights)

#012928  
**Control Link Cable (20m)**  
Select the quantity required (N.B. 1 cable less than No. of lights)

#012925  
**Control Link Cable (5m)**  
Select the quantity required (N.B. 1 cable less than No. of lights)

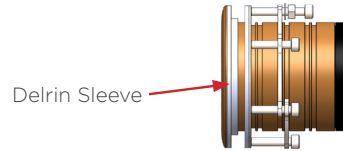
#012927  
**Control Link Cable (15m)**  
Select the quantity required (N.B. 1 cable less than No. of lights)



### EXPLORE XFM ACCESSORIES

#### Isolation Kit

Isolation Kit (001-500638) must be used if installing the E6 on metal, carbon fibre and wooden hulled yachts.

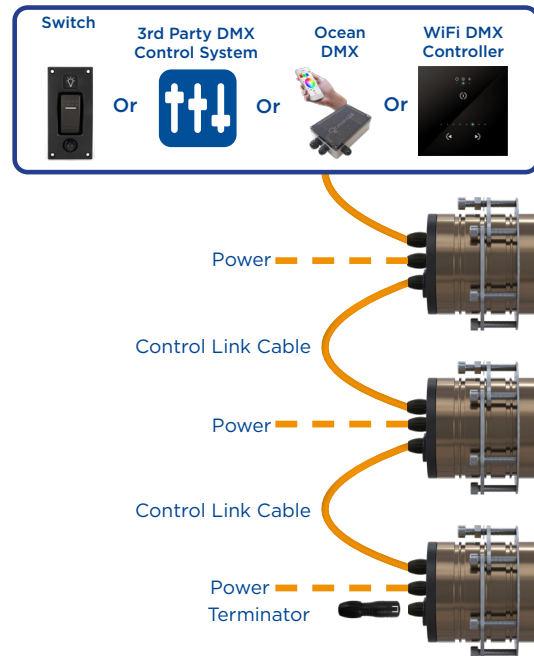


#### Extension Kit

Extension kit is required for hulls thicker than 55mm.



### CONTROL OPTIONS SCHEMATIC



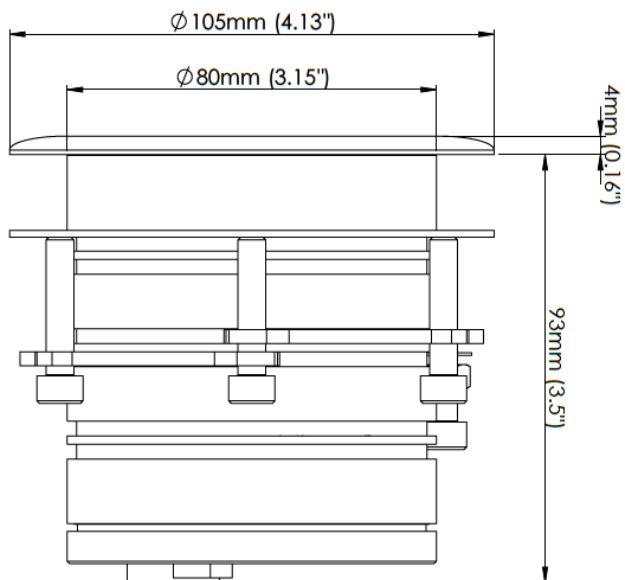
#### Built In Fault Finding

The Explore E6 lights have a built-in rear indicator LED. The LED confirms the light is working within designed parameters, and in the case of a fault, will indicate information as to the root cause.

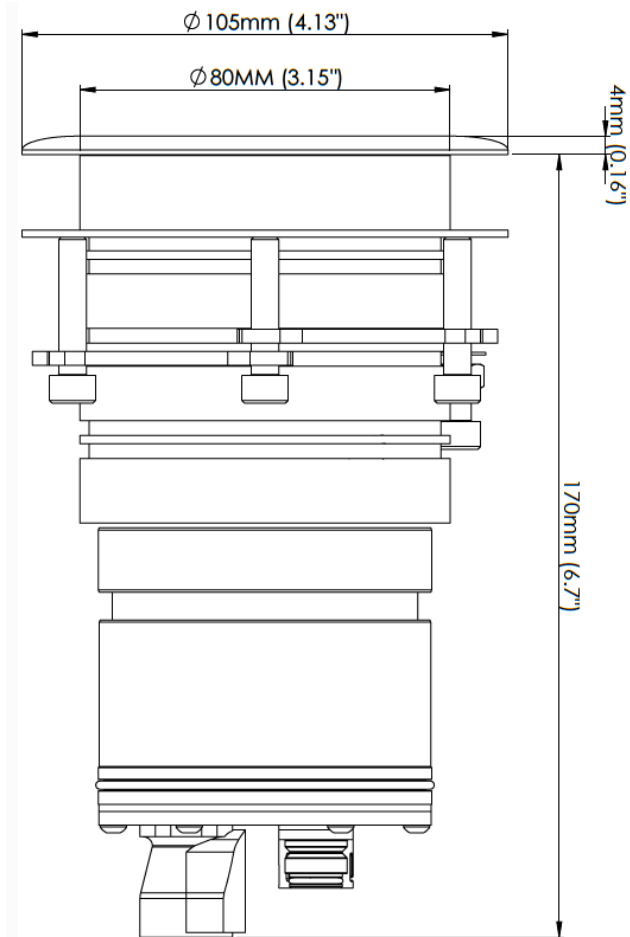
### OCEANLED CUSTOM PROJECT SUPPORT

OceanLED has an in house dedicated customer service, sales and engineering team on hand to support our Superyacht clients in various stages of the build. With 2D and parametric 3D CAD facilities, OceanLED will follow projects from inception through to launch to ensure the best possible solution.

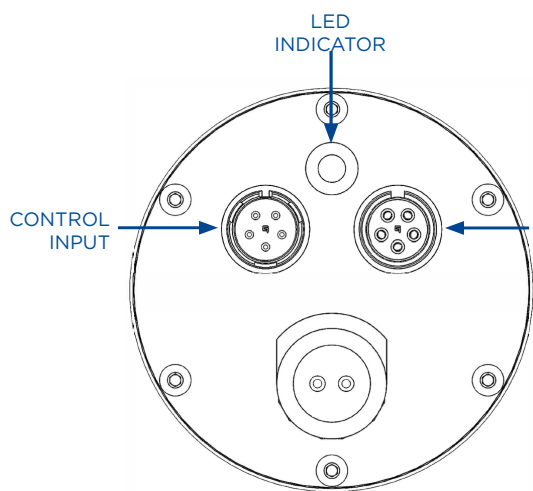
LIGHT CARTRIDGE INSTALLED



LIGHT CARTRIDGE WITHDRAWN



REAR OF LIGHT





PRODUCT GUIDE/technical  
**EXPLORE E6** (XFM)




BOX CONTENTS	
Explore E6 Light Assembly & Clamping Kit	
In-line Fuse Kit	
Product Manual	

ACCESSORIES	PART
DC Power Kit	#019903
AC Power Kit	#019904
SwiTh / 3rd Party Control Input Kit	#012923
Control Link Cable (3m)	#012924
Control Link Cable (5m)	#012925
Control Link Cable (10m)	#012926
Control Link Cable (15m)	#012927
Control Link Cable (20m)	#012928

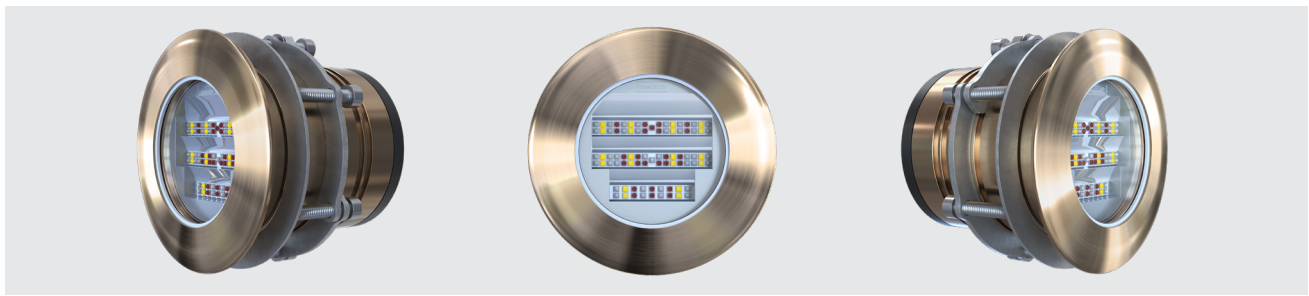
TECHNICAL	
Fixture Lumens (Total light output from a finished fixture)	Dual - 11,000* Colours - 6,000*
Beam Angle	90° x 20°
Angled Optics Options	10°, 20°, 30°, 40° & 50°
Min-Max Operating Voltage DC	10V - 32V DC
Min-Max Operating Voltage AC**	100-240V 50/60Hz
Power	Dual - 113W Colours - 82W
Current / Amp Draw (12V/24V DC)	Dual - 7.8A / 4.7A Colours - 6.8A / 3.2A
Current / Amp Draw (110V/230V AC)	Dual - 1,190mA / 570mA Colours - 830mA / 400mA
Driver Type	Internal
Correlated Colour Temp.	6500K White
No of LEDs	Dual - 18 W, 17 B Colours - 25 R, 19 G, 20 B, 20 W
IP Rating	IP69k Front Face, When Installed
Active Thermal Control (ATC)	Yes

MOUNTING RECOMMENDATIONS	
Boat Size	20m +
Transom / Hull spacing	0.5 - 1.2m (2-4')
Installation depth below waterline	25 - 30cm (10-12")

PHYSICAL	
Total Diameter of Flange	105mm (4.13")
Diameter of Body	80mm (3.15")
Profile of Flange	4mm (0.16")
Overall Length	97mm (3.8")
Minimum Withdrawal Space Required	170mm (6.55")
Hole Cut-Out - Standard - With Isolating Kit	83mm (3.25") 89mm (3.5")
Max Hull Thickness - Standard - Extension Kit	55mm (2.16") 119mm (4.7")
Total Weight	1.25kg (2.76lbs)
Mounting Tube Material Light Body Material	AB2 Aluminium Bronze Aluminium
Optics	Linear Micro-Faceted Reflector

APPROVALS & WARRANTY	
RINA, ABS	
Warranty	3 Years

\*Ultra White Measurement \*\*With AC Power Kit



**KEY FEATURES**



11,000\*  
Fixture Lumens  
\* Ultra White measurement



90°  
Top Beam



20°  
Side Beam



10° - 50° Beam  
Projection Angle

**COLOUR PART#**



Dual White/Blue



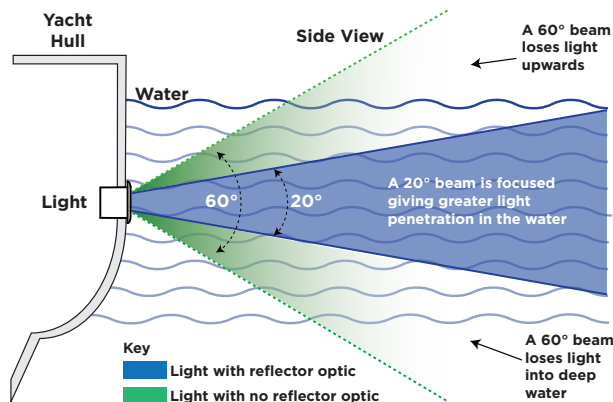
Colours DMX

**LESS POWER USED AND SUPERIOR LIGHTING EFFECT**



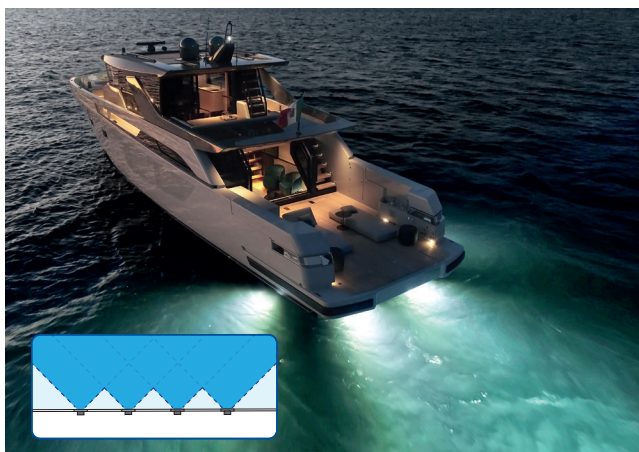
**Less power used to deliver superior light effect due to advanced Optics**

- New generation innovative, efficient reflector optics.
- Focused side beam produces a blade of light under the water that penetrates further.
- All available light is directed with minimal loss.



**Defined 90° x 20° Beam**

The defined 90° beam, using advanced reflector optics, when viewed from above reduces the dark areas close to the hull.



**IP69k SUPERIOR PROTECTION, TOTAL PEACE OF MIND**

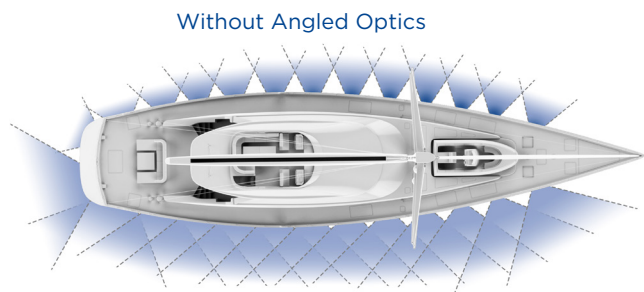


IP69k, the highest achievable rating of protection against water ingress. IP69k goes one step further than the industry standard IP68, giving you additional protection and peace of mind.

**BENEFITS OF E7 ANGLED OPTICS**

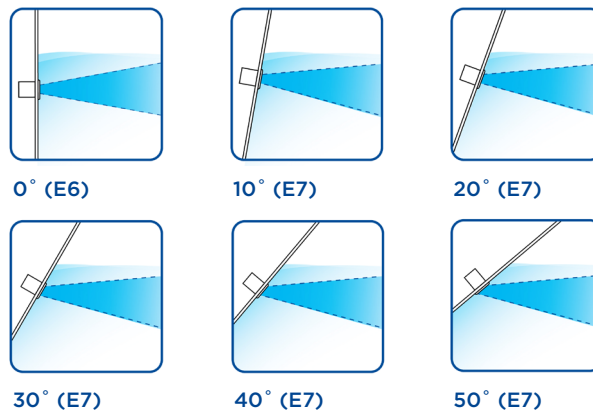
**Create A Uniform Lighting Effect Around Your Yacht**

- Choice of Angled optics to counter the hull shape.
- 10°, 20°, 30°, 40° & 50°.
- 0° available as compatible E6.



**With Angled Optics**

The new Explore E7 allows the lights to be internally angled up to 50° in 10° increments to counter the hull. This ensures all the light is delivered where required, producing the best possible, uniform lighting effect; a complete halo of light around the yacht.



## EXPLORE E7 CHOOSE YOUR LIGHT SETUP

Choose Either Dual Or Colours

**Explore E7 (Dual)**  
• Light Assembly



ANGLE

Choose Internal Beam Angling

**OPTION 1**

**0°**  
#E6009BW  
• E6 Dual - 0°  
#E6009CD  
• E6 Colours - 0°

**OPTION 2**

**10°**  
#E7019BW  
• E7 Dual - 10°  
#E7019CD  
• E7 Colours - 10°

**OPTION 3**

**20°**  
#E7029BW  
• E7 Dual - 20°  
#E7029CD  
• E7 Colours - 20°

**OPTION 4**

**30°**  
#E7039BW  
• E7 Dual - 30°  
#E7039CD  
• E7 Colours - 30°

**OPTION 5**

**40°**  
#E7049BW  
• E7 Dual - 40°  
#E7049CD  
• E7 Colours - 40°

**OPTION 6**

**50°**  
#E7059BW  
• E7 Dual - 50°  
#E7059CD  
• E7 Colours - 50°



POWER

Choose either DC or AC Power Kits

**OPTION 1**

**#019903**  
**DC POWER KIT (1.5m)**  
• DC Power Cable  
• Fuse Kit



**OPTION 2**

**#019904**  
**AC POWER KIT (1.5m)**  
• Power Pack  
• AC Power Link Cable



CONTROL

Choose the method of how you control your lights

(Each Controller option comes with a 5m Control Input Cable Kit - Option 1)

**OPTION 1**

**#012923**  
**Switch / 3rd Party**  
**Control Input Kit**  
• Control Input Cable  
• Terminator



**OPTION 2**

See OceanDMX RC Guide for options  
**OceanDMX RC Explore Kit**  
• OceanDMX RC Remote  
• OceanDMX RC Receiver



**OPTION 3**

**#013003 (Black)**  
**#013003W (White)**  
**OceanDMX TP (Dual)**  
• DMX Touch Controller  
• #012923 Control Input Kit



**OPTION 4**

**#013001 (Black)**  
**#013001W (White)**  
**OceanDMX TP (Colours)**  
• DMX Touch Controller  
• #012923 Control Input Kit



**OPTION 5**

**#013011 (Black Panel)**  
**#013011W (White Panel)**  
**OceanDMX WTP PLUS (Dual Colour)**  
• DMX WiFi Controller  
• #012923 Control Input Kit



**OPTION 6**

**#013010 (Black Panel)**  
**#013010W (White Panel)**  
**OceanDMX WTP PLUS (Colours)**  
• DMX WiFi Controller  
• #012923 Control Input Kit



LINK

Select quantity of Control Link Cables based on quantity of lights  
(N.B. You need 1 Link Cable less than the number of lights fitted)

**OPTION 1**

**#012924**  
**Control Link Cable (3m)**  
Select the quantity required (N.B. 1 cable less than No. of lights)

**OPTION 2**

**#012925**  
**Control Link Cable (5m)**  
Select the quantity required (N.B. 1 cable less than No. of lights)

**OPTION 3**

**#012926**  
**Control Link Cable (10m)**  
Select the quantity required (N.B. 1 cable less than No. of lights)

**OPTION 4**

**#012927**  
**Control Link Cable (15m)**  
Select the quantity required (N.B. 1 cable less than No. of lights)

**OPTION 5**

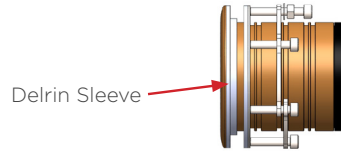
**#012928**  
**Control Link Cable (20m)**  
Select the quantity required (N.B. 1 cable less than No. of lights)



## EXPLORE XFM ACCESSORIES

### Isolation Kit

Isolation Kit (001-500638) must be used if installing the E7 on metal, carbon fibre and wooden hulled yachts.



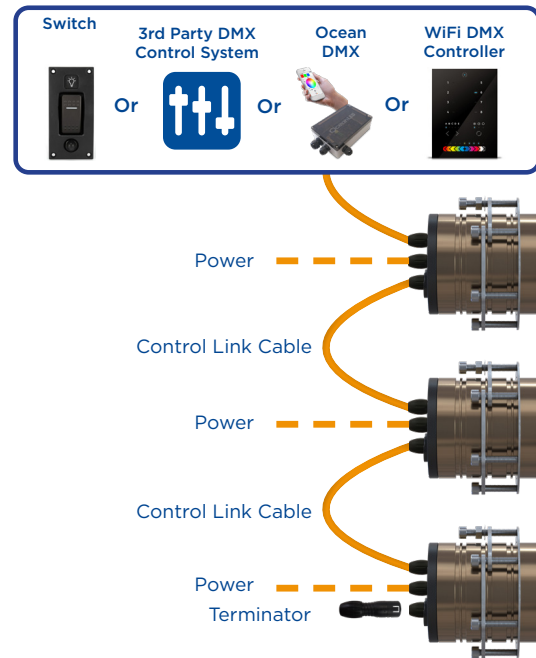
Delrin Sleeve

### Extension Kit

Extension kit is required for hulls thicker than 55mm.



## CONTROL OPTIONS SCHEMATIC



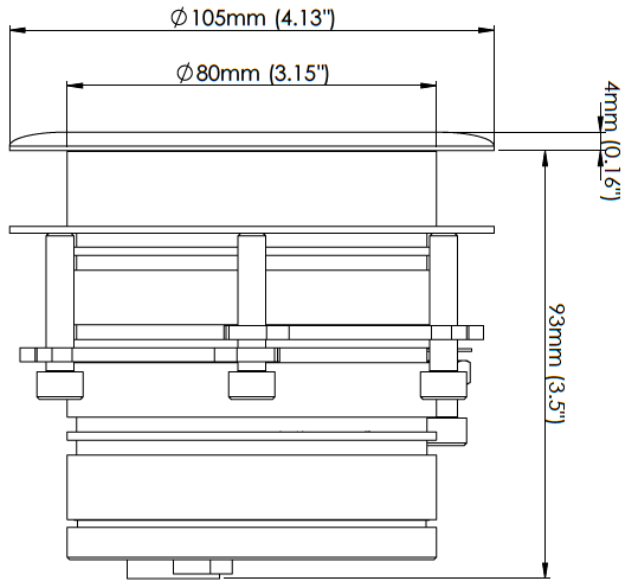
### Built In Fault Finding

The Explore E7 lights have a built-in rear indicator LED. The LED confirms the light is working within designed parameters, and in the case of a fault, will indicate information as to the root cause.

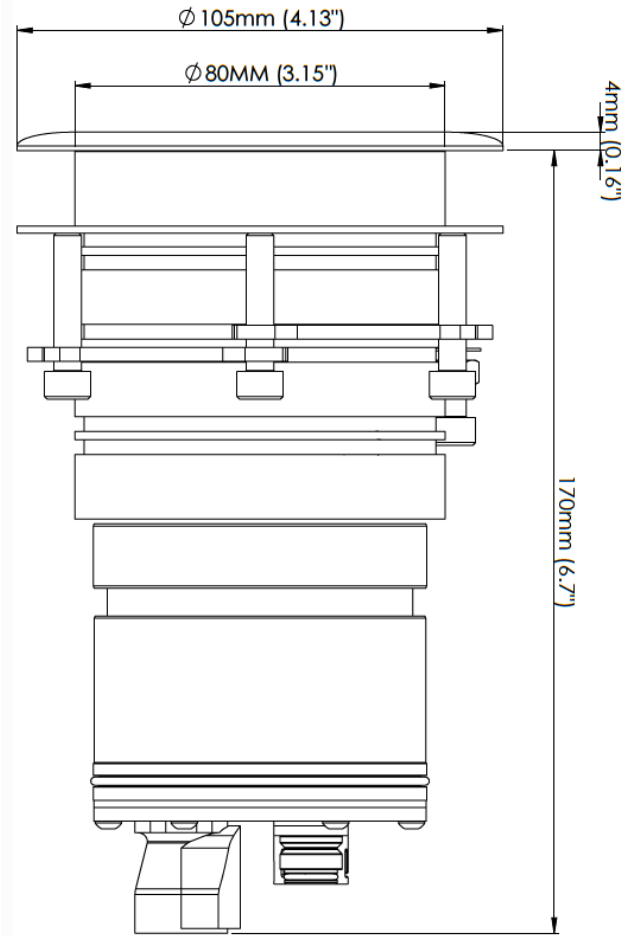
## OCEANLED CUSTOM PROJECT SUPPORT

OceanLED has an in house dedicated customer service, sales and engineering team on hand to support our Superyacht clients in various stages of the build. With 2D and parametric 3D CAD facilities, OceanLED will follow projects from inception through to launch to ensure the best possible solution.

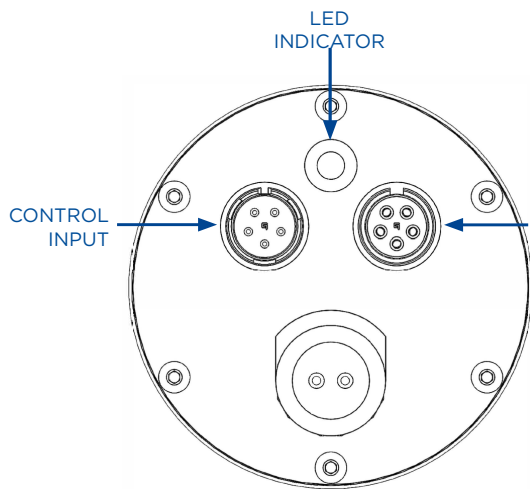
LIGHT CARTRIDGE INSTALLED



LIGHT CARTRIDGE WITHDRAWN



REAR OF LIGHT





# PRODUCT GUIDE/technical

## EXPLORE E7 (XFM)



### BOX CONTENTS

Explore E7 Light Assembly & Clamping Kit
In-line Fuse Kit
Product Manual

### ACCESSORIES PART

DC Power Kit	#019903
AC Power Kit	#019904
Switch / 3rd Party Control Input Kit	#012923
Control Link Cable (3m)	#012924
Control Link Cable (5m)	#012925
Control Link Cable (10m)	#012926
Control Link Cable (15m)	#012927
Control Link Cable (20m)	#012928

### TECHNICAL

Fixture Lumens (Total light output from a finished fixture)	Dual - 11,000* Colours - 6,000*
Beam Angle	90° x 20°
Angled Optics Options	10°, 20°, 30°, 40° & 50°
Min-Max Operating Voltage DC	10V - 32V DC
Min-Max Operating Voltage AC**	100-240V 50/60Hz
Power	Dual - 113W Colours - 82W
Current / Amp Draw (12V/24V DC)	Dual - 7.8A / 4.7A Colours - 6.8A / 3.2A
Current / Amp Draw (110V/230V AC)	Dual - 1,190mA / 570mA Colours - 830mA / 400mA
Driver Type	Internal
Correlated Colour Temp.	6500K White
No of LEDs	Dual - 18 W, 17 B Colours - 25 R, 19 G, 20 B, 20 W
IP Rating	IP69k Front Face, When Installed
Active Thermal Control (ATC)	Yes

### MOUNTING RECOMMENDATIONS

Boat Size	20m +
Transom / Hull spacing	0.5 - 1.2m (2-4')
Installation depth below waterline	25 - 30cm (10-12")

### PHYSICAL

Total Diameter of Flange	105mm (4.13")
Diameter of Body	80mm (3.15")
Profile of Flange	4mm (0.16")
Overall Length	97mm (3.8")
Minimum Withdrawal Space Required	170mm (6.55")
Hole Cut-Out - Standard - With Isolating Kit	83mm (3.25") 89mm (3.5")
Max Hull Thickness - Standard - Extension Kit	55mm (2.16") 119mm (4.7")
Total Weight	1.25kg (2.76lbs)
Mounting Tube Material Light Body Material	AB2 Aluminium Bronze Aluminium
Optics	Linear Micro-Faceted Reflector

### APPROVALS & WARRANTY

RINA, ABS	
Warranty	3 Years

\*Ultra White Measurement \*\*With AC Power Kit

## EXPLORE E6 CHOOSE YOUR LIGHT SETUP

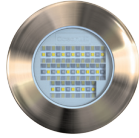
Choose either Dual Colour or Colours DMX

### LIGHT



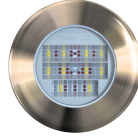
#### OPTION 1

#E6009BW  
**Explore E6 (Dual)**  
• Light Assembly



#### OPTION 2

#E6009CD  
**Explore E6 (Colours)**  
• Light Assembly



Choose either DC or AC Power Kits

### POWER



#### OPTION 1

#019903  
**DC POWER KIT**  
• Power Cable  
• Fuse Kit



#### OPTION 2

#019904  
**AC POWER KIT**  
• Power Pack  
• Power Link Cable



Choose the method of how you control your lights  
(Each Control option comes with a 5m Control Input Cable Kit - Option 1)

### CONTROL



#### OPTION 1

#012923  
**Switch / 3rd Party Control Input Kit**  
• Control Cable  
• Terminator



#### OPTION 2

#011712  
**OceanDMX Control Kit**  
• OceanDMX Controller  
• #012923 Control Input Kit



#### OPTION 4

#013003  
**DMX Touch Panel Controller Kit (Dual)**  
• DMX Touch Controller  
• #012923 Control Input Kit



#### OPTION 3

#013001  
**DMX Touch Panel Controller Kit (Colours)**  
• DMX Touch Controller  
• #012923 Control Input Kit



#### OPTION 5

#013002  
**DMX WIFI Touch Panel Controller Kit (Colours)**  
• DMX WiFi Controller  
• #012923 Control Input Kit



#### OPTION 6

#013004  
**DMX WIFI Touch Panel Controller Kit (Dual)**  
• DMX WiFi Controller  
• #012923 Control Input Kit



Select quantity of Control Link Cables based on quantity of lights  
(N.B. You need 1 Link Cable less than the number of lights fitted)

### LINK



#### AS MANY AS REQUIRED

#012924  
**Control Link Cable (3m)**  
Select the quantity required (N.B. 1 cable less than No. of lights)

#012926  
**Control Link Cable (10m)**  
Select the quantity required (N.B. 1 cable less than No. of lights)

#012928  
**Control Link Cable (20m)**  
Select the quantity required (N.B. 1 cable less than No. of lights)

#012925  
**Control Link Cable (5m)**  
Select the quantity required (N.B. 1 cable less than No. of lights)

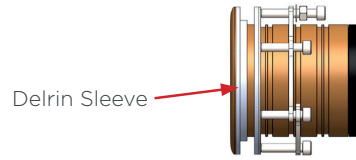
#012927  
**Control Link Cable (15m)**  
Select the quantity required (N.B. 1 cable less than No. of lights)



## EXPLORE XFM ACCESSORIES

### Isolation Kit

Isolation Kit (001-500638) must be used if installing the E6 on metal, carbon fibre and wooden hulled yachts.

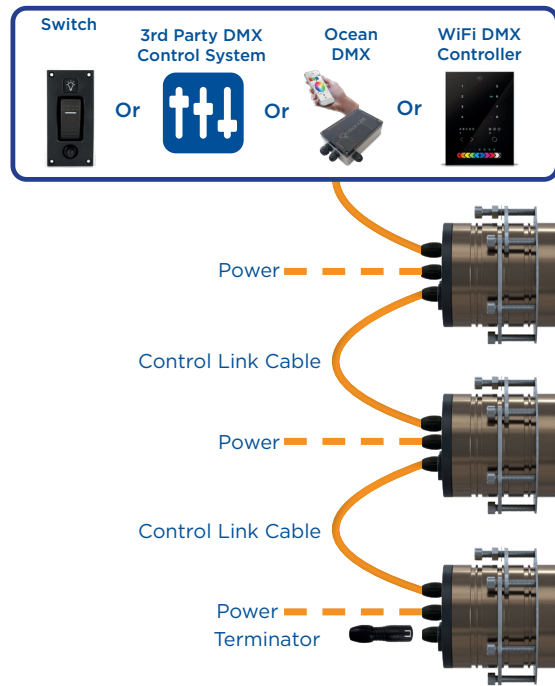


### Extension Kit

Extension kit is required for hulls thicker than 55mm.



## CONTROL OPTIONS SCHEMATIC



### Built In Fault Finding

The Explore E6 lights have a built-in rear indicator LED. The LED confirms the light is working within designed parameters, and in the case of a fault, will indicate information as to the root cause.

## OCEANLED CUSTOM PROJECT SUPPORT

OceanLED has an in house dedicated customer service, sales and engineering team on hand to support our Superyacht clients in various stages of the build. With 2D and parametric 3D CAD facilities, OceanLED will follow projects from inception through to launch to ensure the best possible solution.



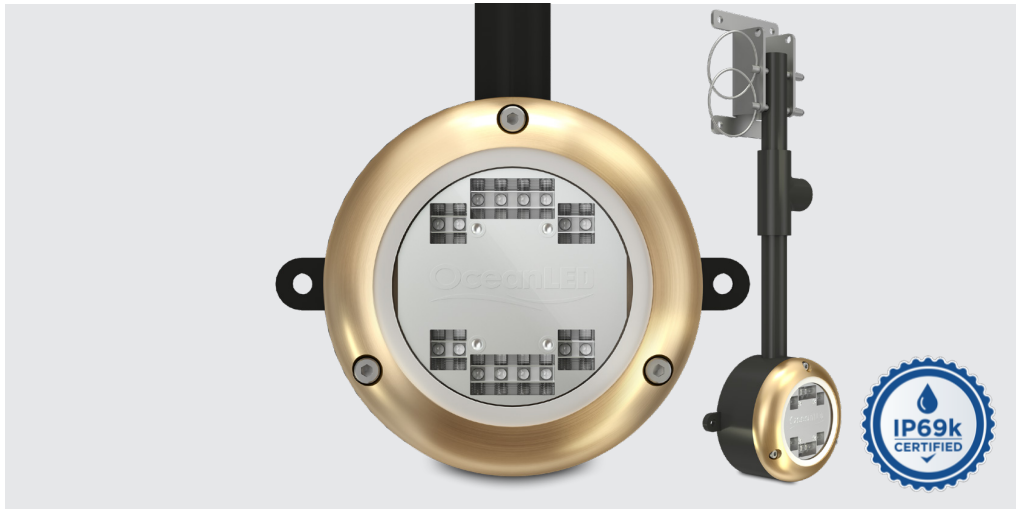
# Dock Lighting

Choose from single, dual or full RGBW with the Sport Dock Series and create your perfect lighting display.

Fixed dock or swing arm option for floating pontoons.







The OceanLED Sport DockLight is the perfect underwater LED light to create a stunning light display at your dock.

**KEY FEATURES**



Up To 5,000 Fixture Lumens



90° Top Beam



20° Side Beam



Rectangular Beam

**COLOUR PART#**



Ultra White **012105W**

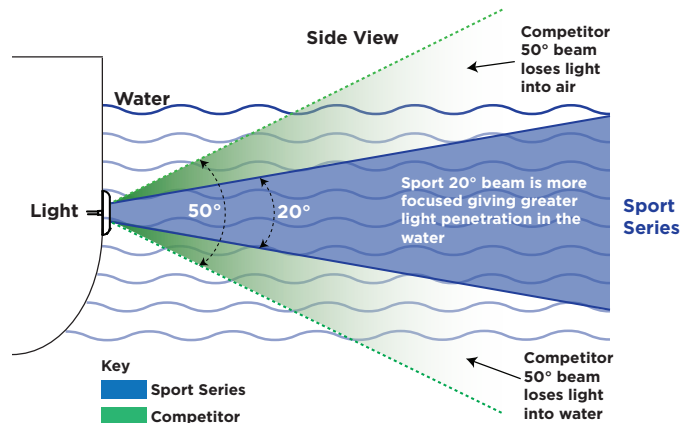


Midnight Blue **012104B**

Packing an impressive 5,000 fixture lumens into a small body, combined with advanced optics, creates a truly remarkable 'Best-In-Class' performance.

Compact, simple design with a small footprint. Easy to install and maintain with a choice of standard fixed dock or optional floating dock brackets.

- Brightest dock light in its class provides safety and security at your dock.
- Create a stunning backdrop to your dock parties.
- Increase interest and value in your property with stunning pictures for any marketing material.





## 11,600 LUMENS / 5,000 FIXTURE LUMENS

Best-in-class performance from this ultra-bright light makes it the obvious choice for those who want to stand out.

## 90°/20° BEAM ANGLE

A true wide-angled, focused beam lights up a large area of the water around the dock

## COMPACT AND SIMPLE DESIGN

Made from corrosion resistant Alu Bronze, there is a lot packed into this 100mm / 4" light. Simple plastic brackets keep footprint to a minimum.

## SIMPLE TO INSTALL

A choice of fixed or floating brackets, depending on tidal factors or dock type.

## EASY TO CLEAN

Thanks to its Tritonium coating, a simple wipe of the lens removes any underwater growth, saving hours of scrubbing each time you use it.

Optional Easi-Kleen floating bracket mechanism makes it simple to swing the light out of the water to clean.

## ACTIVE THERMAL CONTROL

ATC prevents overheating. In the event of overheating the ATC system will reduce the LED power level in order to protect the LEDs, or in extreme cases, turn off the fixture completely.

## S3116d SPECIFICATIONS

### BOX CONTENTS

Sport Dock Light and Cable

Fixed Dock Light Fixing Bracket

In-line Fuse Kit

Mounting Screws

Quick Install Guide

ACCESSORIES	PART
Sport DockLight Floating Kit	012108
4 Way V DC Power Junction Box	019901
Power Supply	001-600072

### MOUNTING RECOMMENDATIONS

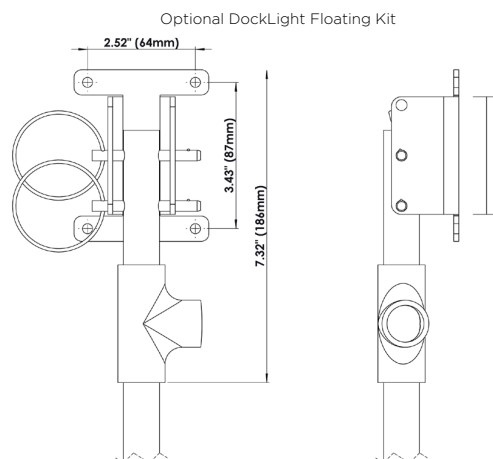
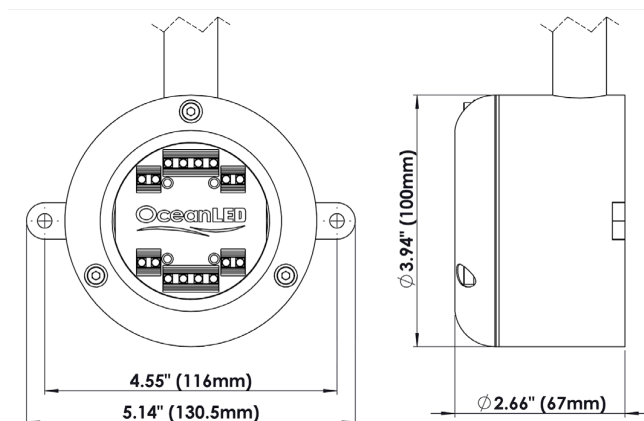
Dock spacing	2-4' (0.5-1.2m)
Installation depth (To top of fixture)	12" (30cm)

### TECHNICAL

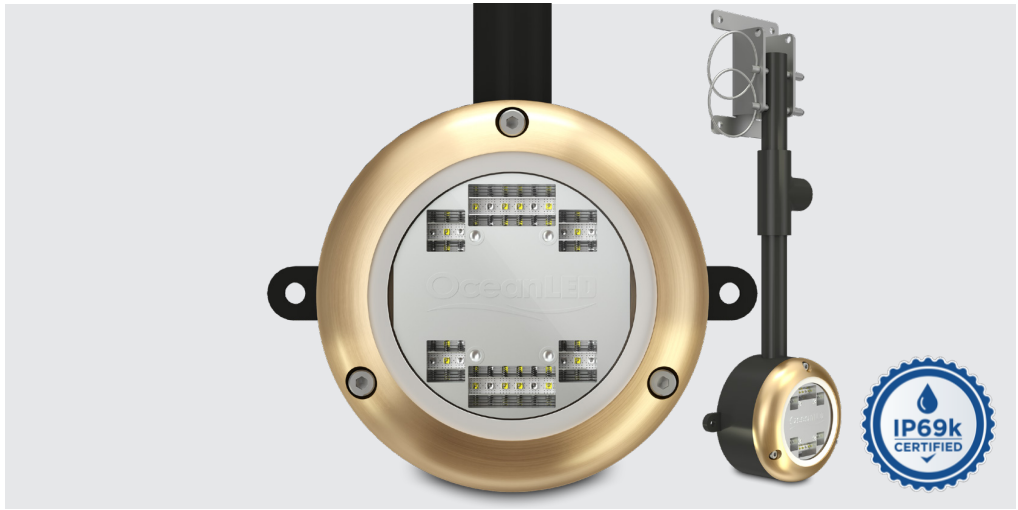
Lumens	11600
Fixture Lumens	5000
Typical LED life expectancy	40,000+ Hours
Minimum-Maximum operating voltage DC	20-32V DC
Current / Amp draw (DC)	24V DC 2.4A
Driver type	Internal, Reverse Polarity Protected

### PHYSICAL

Total weight	1.2kg
Extension cable length (standard)	32.8" (10m)
Conduit Size	0.5" (12.5mm)
Material	AB2 Aluminium Bronze



\*Fixture Lumens rating is a measurement of total white light output from a complete (as sold) light fixture using laboratory standard, calibrated photometric measuring equipment.



The OceanLED Sport DockLight is the perfect underwater LED light to create a stunning light display at your dock.

**KEY FEATURES**



Up To 3,000 Fixture Lumens



90° Top Beam



20° Side Beam



Rectangular Beam

**COLOUR PART#**

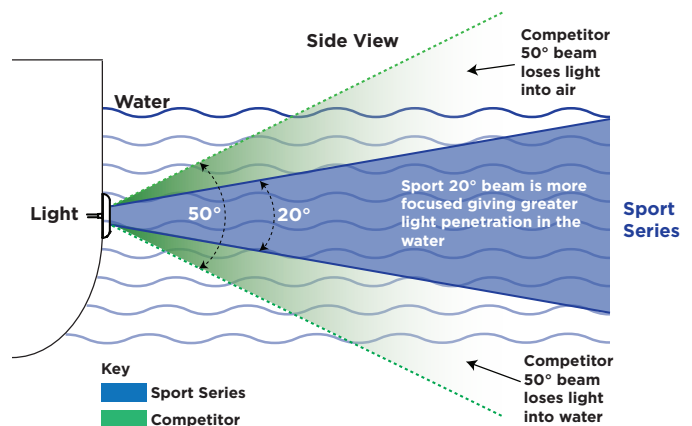


Dual White/Blue  
**012106BW**

With twice the amount of LEDs as its competitors, the dual colour S3124d is the leader in its class. Simply toggle the power between white, blue and fade modes.

Compact, simple design with a small footprint. Easy to install and maintain with a choice of standard fixed dock or optional floating dock brackets.

- Brightest dock light in its class provides safety and security at your dock.
- Create a stunning backdrop to your dock parties.
- Increase interest and value in your property with stunning pictures for any marketing material.



## 5,600 LUMENS / 3,000 FIXTURE LUMENS

Outstanding performance from this small, bright light makes it the obvious choice for those who want to stand out from the crowd.

## 90°/20° BEAM ANGLE

A true wide-angled, focused beam lights up a large area of the water around the dock

## COMPACT AND SIMPLE DESIGN

Made from corrosion resistant Alu Bronze, there is a lot packed into this 100mm / 4" light. Simple plastic brackets keep footprint to a minimum.

## SIMPLE TO INSTALL

A choice of fixed or floating brackets, depending on tidal factors or dock type.

## EASY TO CLEAN

Thanks to its Tritonium coating, a simple wipe of the lens removes any underwater growth, saving hours of scrubbing each time you use it.

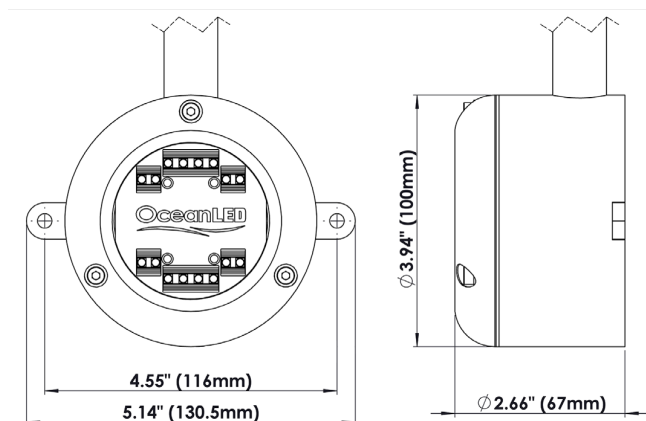
Optional Easi-Kleen floating bracket mechanism makes it simple to swing the light out of the water to clean.

## ADVANCED MODES

Fade between blue/white. Select your desired startup colour.

## ACTIVE THERMAL CONTROL

ATC prevents overheating. In the event of overheating the ATC system will reduce the LED power level in order to protect the LEDs, or in extreme cases, turn off the fixture completely.



## S3124d SPECIFICATIONS

### BOX CONTENTS

Sport Dock Light and Cable

Fixed Dock Light Fixing Bracket

In-line Fuse Kit

Mounting Screws

Quick Install Guide

ACCESSORIES	PART
Sport DockLight Floating Kit	012108
4 Way V DC Power Junction Box	019901
Power Supply	001-600072

### MOUNTING RECOMMENDATIONS

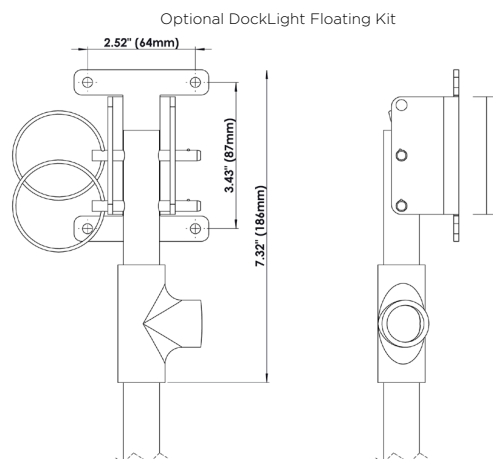
Dock spacing	2-4' (0.5-1.2m)
Installation depth (To top of fixture)	12" (30cm)

### TECHNICAL

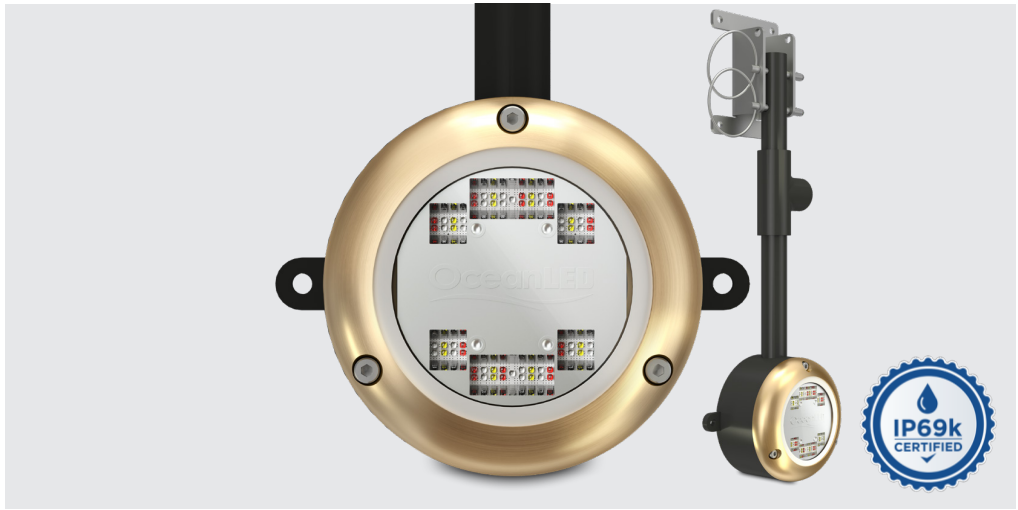
Lumens	5600
Fixture Lumens	3000
Typical LED life expectancy	40,000+ Hours
Minimum-Maximum operating voltage DC	20-32V DC
Current / Amp draw (DC)	24V DC 1.7A
Driver type	Internal, Reverse Polarity Protected

### PHYSICAL

Total weight	1.2kg
Extension cable length (standard)	32.8" (10m)
Conduit Size	0.5" (12.5mm)
Material	AB2 Aluminium Bronze



\*Fixture Lumens rating is a measurement of total white light output from a complete (as sold) light fixture using laboratory standard, calibrated photometric measuring equipment.



The Sport S3166d gives your dock parties a dramatic backdrop with a stunning multi-colour light display

**KEY FEATURES**



Up To 3,500 Fixture Lumens



90° Top Beam



20° Side Beam



Rectangular Beam

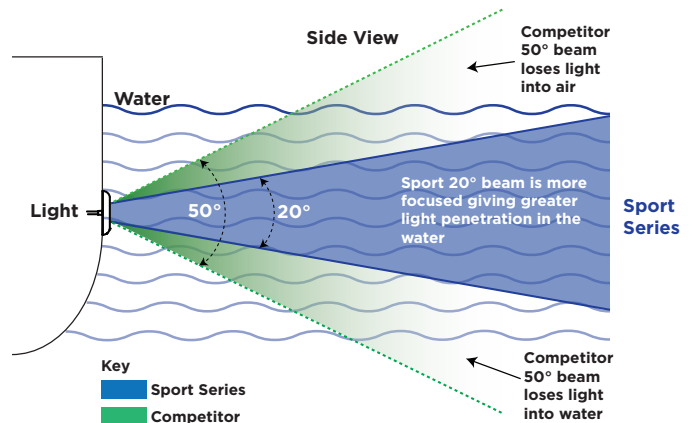
**COLOUR PART#**



Multi-Colour **012107C**

OceanLED Sport DockLight has been designed and built for those who want to stand out. Whether a marina in the Mediterranean or a tiki dock in The Keys, the S3166d gives a stunning multi-colour light display enhancing your evenings by the water.

The S3166d packs a powerful 3,500 fixture lumens into a small body and has more dedicated LED's per colour than leading competitor models utilising full RGBW colour mixing. This allows you to choose any colour you wish or scroll through the spectrum to attract marine life creating your own aquarium. Make your dock parties the envy of your friends with the brightest multi-colour LED dock light in its class.





### 3,500 FIXTURE LUMENS

Best-in-class performance from this ultra-bright light makes it the obvious choice for those who want to stand out from the crowd.

### Full RGBW Multi-Colour

Choose any colour you wish or scroll through the spectrum creating a stunning backdrop to your dock parties

### 90°/20° BEAM ANGLE

A true wide-angled, focused beam lights up a large area of the water.

### SIMPLE TO INSTALL

A choice of fixed or floating brackets, depending on tidal factors or dock type.

### EASY TO CLEAN

Thanks to its Tritonium coating, a simple wipe of the lens removes any underwater growth, saving hours of scrubbing each time you use it.

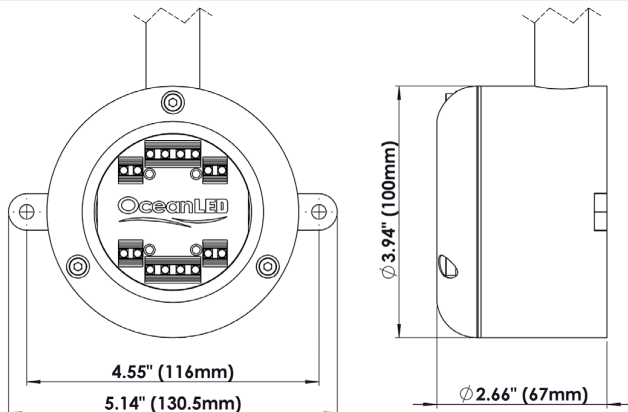
Optional Easi-Kleen floating bracket mechanism makes it simple to swing the light out of the water to clean.

### COMPACT AND SIMPLE DESIGN

Made from corrosion resistant Alu Bronze, there is a lot packed into this 100mm / 4" light. Simple plastic brackets keep footprint to a minimum.

### ACTIVE THERMAL CONTROL

ATC prevents overheating. In the event of overheating the ATC system will reduce the LED power level in order to protect the LEDs, or in extreme cases, turn off the fixture completely.



### S3166d SPECIFICATIONS

#### BOX CONTENTS

Sport Dock Light and Cable

Fixed Dock Light Fixing Bracket

In-line Fuse Kit

Mounting Screws

Quick Install Guide

ACCESSORIES	PART
Sport DockLight Floating Kit	012108
4 Way V DC Power Junction Box	019901
Power Supply	001-600072

#### MOUNTING RECOMMENDATIONS

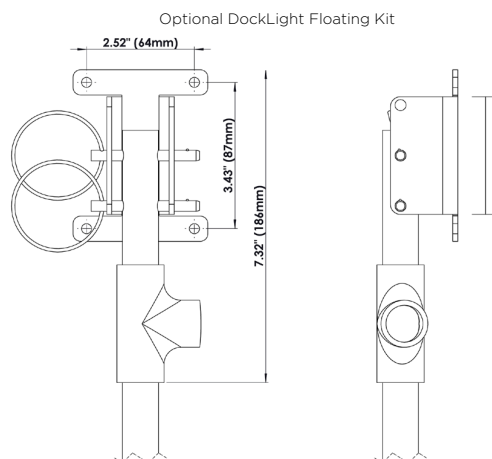
Dock spacing	2-4' (0.5-1.2m)
Installation depth (To top of fixture)	12" (30cm)

#### TECHNICAL

Lumens	8448
Fixture Lumens	3500
Typical LED life expectancy	40,000+ Hours
Minimum-Maximum operating voltage DC	20-32V DC
Current / Amp draw (DC) (Amperage draw for Colours models vary by colour selected, this is the maximum)	24V DC 2.4A
Driver type	Internal, Reverse Polarity Protected

#### PHYSICAL

Total weight	1.2kg
Cable length (standard)	32.8" (10m)
Conduit Size	0.5" (12.5mm)
Material	AB2 Aluminium Bronze



\*Fixture Lumens rating is a measurement of total white light output from a complete (as sold) light fixture using laboratory standard, calibrated photometric measuring equipment.

# Controllers

Take control of your OceanLED Colours lights with a choice of DMX Controller options to create your perfect lighting display.





## Take control of your OceanLED Colours or Dual underwater lights via the OceanDMX RC

### KEY FEATURES



Colours Control



Dual Blue/White



Up to 4 Zones



Up to 8 Remotes



Touch Sensitive



Dynamic Scenes

The OceanDMX RC allows you to remotely control the RGBW colour or dual colour LED lighting system installed on your boat via the DMX protocol (the lighting system must be DMX compatible).

The remote has 3 programmable scenes with up to 10 pre-set modes, including a pause function. You can use up to 8 different remotes to control your lights with just 1 receiver.

The kit consists of the hand-held push button remote control, provided with a waterproof pouch, and the IP68 waterproof DMX Receiver.

The remote has a range of up to 20 meters\* and connects with the receiver using radio frequency (RF).

The OceanDMX RC has the ability to connect to 4 zones independently\*\*, therefore you can control your transom lights independently from your port/starboard lights.

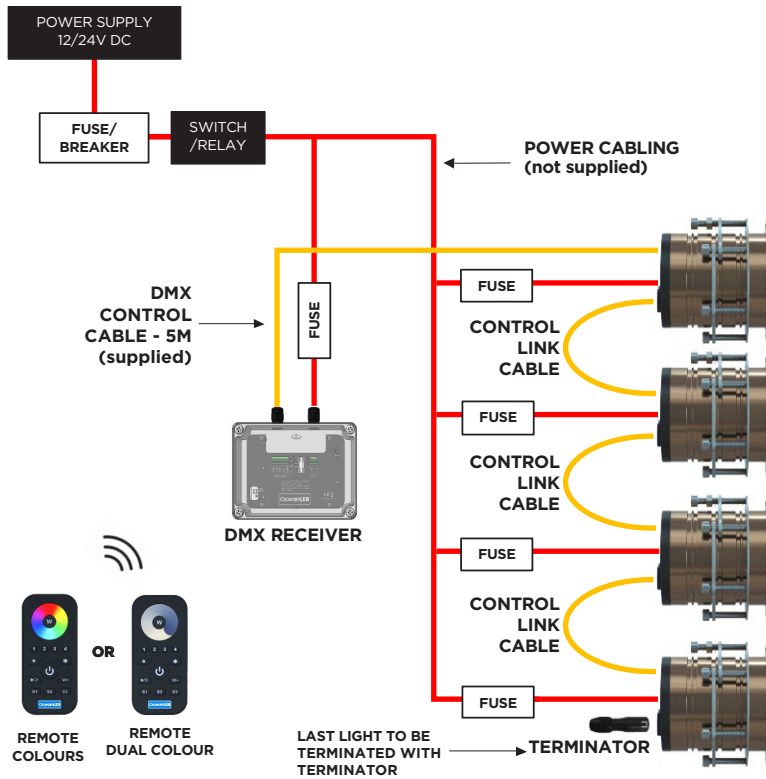
The OceanDMX RC can also be used with other 3<sup>rd</sup> party DMX systems, such as deck lighting, boat signage etc.

Please see instruction manual for more details.

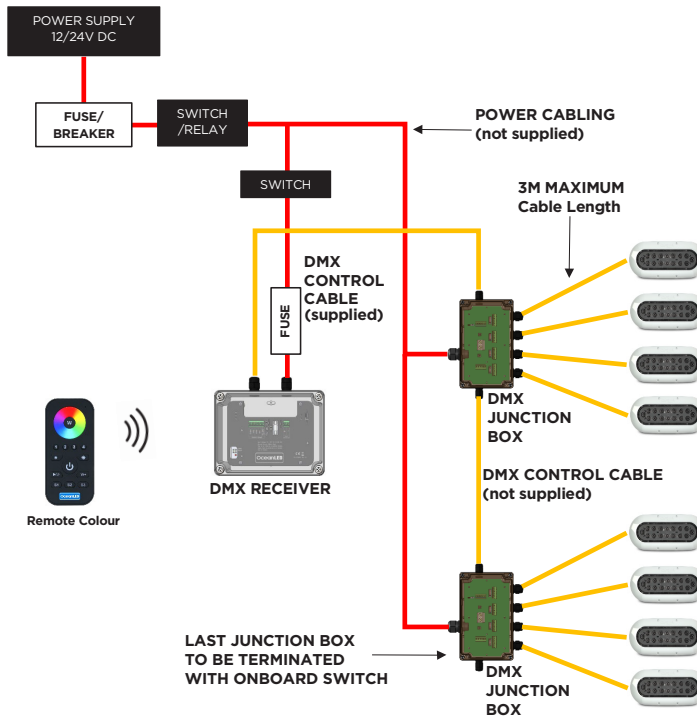
\* Dependant on location of receiver

\*\*Not compatible with OceanLED X-Series Lighting

EXPLORE E6/E7 LIGHTING SETUP

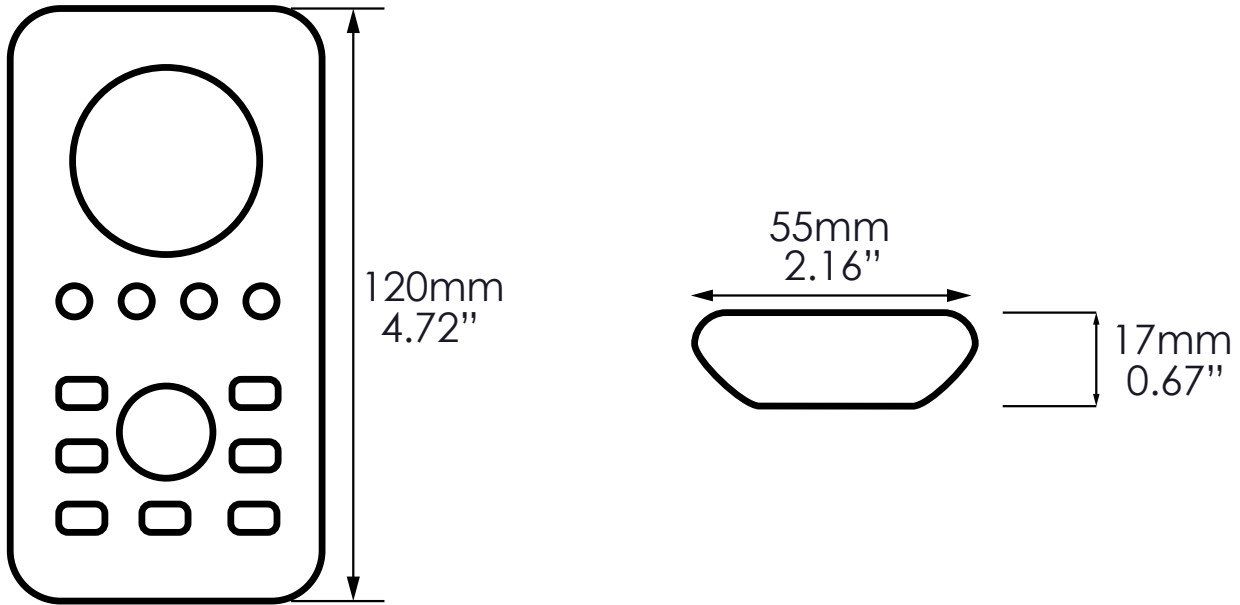


X-SERIES LIGHTING SETUP

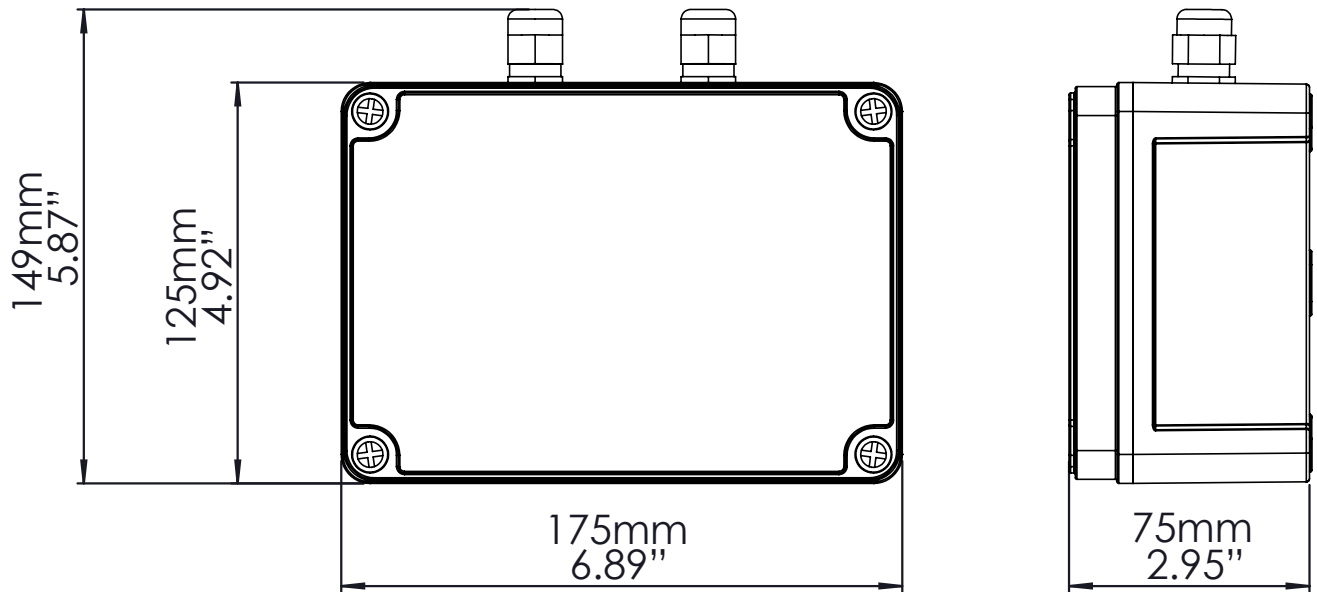




## RECEIVER DIMENSIONS



## RECEIVER DIMENSIONS



# PRODUCT GUIDE/technical

## OCEANDMX RC



SELECT REGION	MHz FREQUENCY
USA and Canada	915
Mexico	915
South America	915
Australia	915
New Zealand	915
China	915
Southern Africa	915 / 868
Europe	868
Middle East	868
India	868
Singapore	868

OCEANDMX KIT	SKU
OceanDMX RC Explore XFM Colours (915)	013016
OceanDMX RC Pro Series Colours (915)	013017
OceanDMX RC X-Series Colours (915)	013018
OceanDMX RC Explore XFM Dual (915)	013024
OceanDMX RC Explore XFM Colours (868)	013020
OceanDMX RC Pro Series Colours (868)	013021
OceanDMX RC X-Series Colours (868)	013022
OceanDMX RC Explore XFM Dual (868)	013026

ACCESSORIES	SKU
4 Way V DC Power Junction Box	019901
DMX Junction Box	011702
DMX Control cable 5M	011706
DMX Control cable 10M	011707
DMX Control cable 15M	011708
OceanDMX Remote and Pouch Only Colours (915)	013019
OceanDMX Remote and Pouch Only Dual (915)	013025
OceanDMX Remote and Pouch Only Colours (868)	013023
OceanDMX Remote and Pouch Only Dual (868)	013027

BOX CONTENTS
Remote Control
Waterproof Pouch
DMX Receiver
Control Cable
Terminator (Not included for X-Series)
DMX Junction Box (X-Series Only)
Installation Manual

TECHNICAL	REMOTE
Operation Voltage	4.5v DC 3x AAA batteries (Not included)
Operation Frequency	869.5MHz / 916.5MHz
Remarks	RF Signal
Operating Temp	-20 to +40°C
Waterproof grade	IP20 Non-Waterproof
Waterproof grade (With pouch)	IP66 Waterproof

PHYSICAL	REMOTE
Dimensions:	55mm x 120mm x 17mm
Weight:	50g (without batteries)

TECHNICAL	DMX WiFi RECEIVER
Supply Voltage	12/24v DC (9-32v DC)
Nominal Current	200mA (Max)
Connections	Power In, DMX Out
Input / Output cable glands	IP68 (2x M16)
Operating Temp	-20°C to +50°C
Operation Frequency 868	869.5MHz
Operation Frequency 915	916.5MHz
Wireless Range	Up to 20 meters*

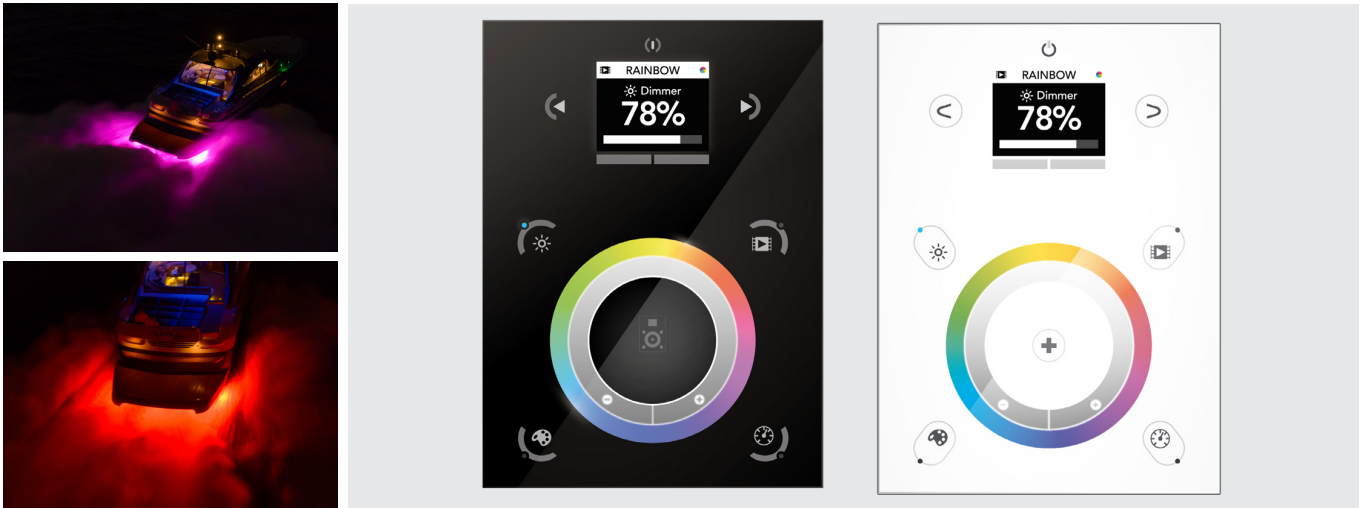
PHYSICAL	DMX WIRELESS RECEIVER
Total weight	0.48kg (1.06 lbs)
Extension cable length (standard)	9.84' (3m)
Material	Robust polycarbonate with semi transparent lid

\*Dependant on location of receiver



# OceanDMX WTP PLUS

## DMX WIFI TOUCH PANEL CONTROLLER



Touch sensitive, intelligent control with graphic display for a dynamic lighting experience.

### KEY FEATURES



Colours Control



Dual Blue/White



Touch Sensitive



Dynamic Scenes



WiFi Compatible



Graphic Display

### BLACK PANEL PART#



Explore XFM Colours **013010**



Custom Projects Colours **023013**



Pro Series Colours **013012**

### WHITE PANEL PART#



Explore XFM Colours **013010W**



Custom Projects Colours **023013W**



Pro Series Colours **013012W**

### BLACK PANEL PART#



Explore XFM Dual **013011**



Custom Projects Dual **023014**

### WHITE PANEL PART#



Explore XFM Dual **013011W**



Custom Projects Dual **023014W**

The new OceanDMX WiFi Touch Panel (WTP) Controller gives you full RGBW Colours control of DMX underwater lights at the touch of a button. Turn your underwater lights into an integrated part of the boating experience.

The Dual Blue/White kit option lets the user select either Blue, White or fade modes.

This touch sensitive, intelligent controller has a graphic display showing your selected scene, brightness and speed. There are up to 31 pre-programmed lighting effects to choose from.

Advanced users can re-program the controller to create individual colour scenes. through the USB cable and control software.

The controller can be connected to a local WiFi network via an external router, allowing control via mobile devices such as an iPhone, iPad, or Android.

## CONTENTS

OceanDMX WiFi Touch Panel Controller
Installation Manual
USB Mini Cable
Micro SD Card
AC-DC Power Supply
Control Cable (Not included for Custom Projects Kit)
Terminator Kit (Not included for Custom Projects Kit)

## TECHNICAL

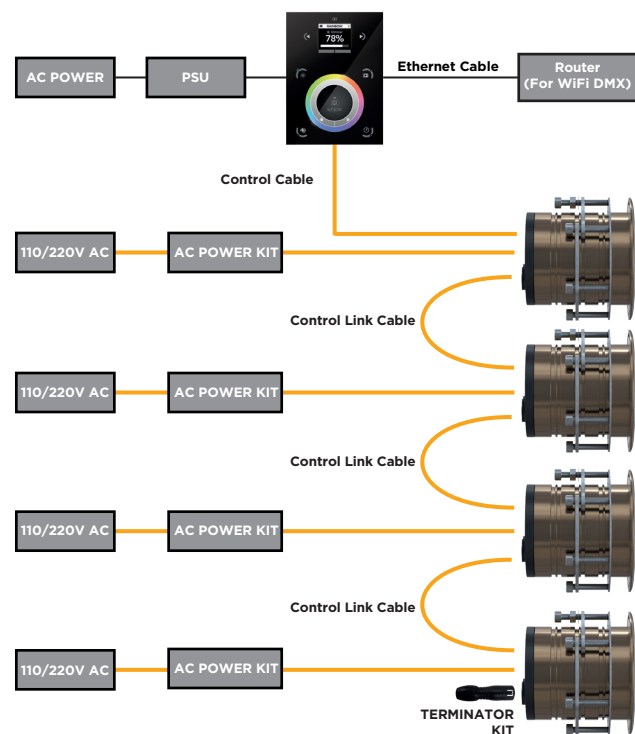
Power Supply (with supplied AC-DC adapter)	100-240 AC
Power Supply (To Panel)	6-9V DC
Operating Temperature	-10°C to 50°C
IP Rating	IP30

## PHYSICAL

Dimensions	146 x 106 x 11.5mm 6 x 4 x 0.5"
Weight	250g (0.55 lbs)

## INSTALLATION

Example shown of Explore E6 / E7 Installation



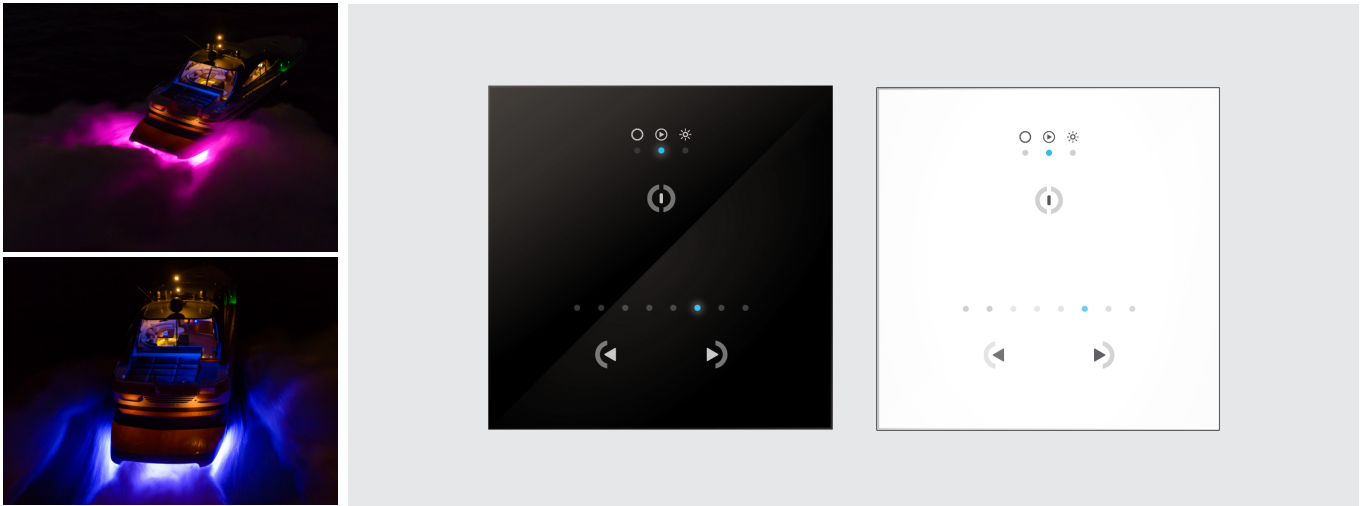
## LIGHTING SCENES - COLOURS

NAME	FUNCTION	STYLE
Red	Red	Solid Colours
Orange	Orange	
Yellow	Yellow	
Green	Green	
Blue	Blue	
Indigo	Indigo	
Violet	Violet	
White	White	
Red 2	Red Shade 2	
Red 3	Red Shade 3	
Green 2	Green Shade 2	Dynamic Modes
Green 3	Green Shade 3	
Blue 2	Blue Shade 2	
Blue 3	Blue Shade 3	
White 2	White Shade 2	
White 3	White Shade 3	
RGB Cycle	Red Green Blue Cycle	
RGBW Cycle	Red Green Blue White Cycle	
R-B Cycle	Red Blue Cycle	
G-B Cycle	Green Blue Cycle	
B-W Cycle	Blue White Cycle	
G-W Cycle	Green White Cycle	
R-W Cycle	Red White Cycle	
R-G Cycle	Red Green Cycle	
Multi Strobe	Multi Strobe	
RGB Strobe	Red Green Blue Strobe	
RGBW Strobe	Red Green Blue White Strobe	
R-B Strobe	Red Blue Strobe	
G-B Strobe	Green Blue Strobe	
R-B-W Strobe	Red Blue White Strobe	
G-W-R Strobe	Green White Red Strobe	

## LIGHTING SCENES - DUAL COLOUR

NAME	FUNCTION	STYLE
White	White	Solid Colours
Blue	Blue	
Blue/White	Blue 50% / white 50% Mix	
White Strobe	White Strobe	Dynamic Modes
Blue Strobe	Blue Strobe	
B-W Strobe	Blue White Strobe	
B-W Cycle	Blue White Cycle	





Touch sensitive, intelligent control with dynamic/static scenes.

### KEY FEATURES



Colours Control



Dual Blue/White



Touch Sensitive



Dynamic Scenes

### BLACK PANEL PART#



Explore XFM Colours **013001**



Custom Projects **023007**



Pro Series Colours **013015**

### WHITE PANEL PART#



Explore XFM Colours **013001W**



Custom Projects **023007W**



Pro Series Colours **013015W**

### BLACK PANEL PART#



Explore XFM Dual **013003**



Custom Projects **023008**

### WHITE PANEL PART#



Explore XFM Dual **013003W**



Custom Projects **023008W**

The DMX Touch Panel Controller lets you control the colour of your underwater lights at the touch of a button.

This touch sensitive, intelligent control keypad enables the user to select from Red, Green, Blue, White or scroll modes.

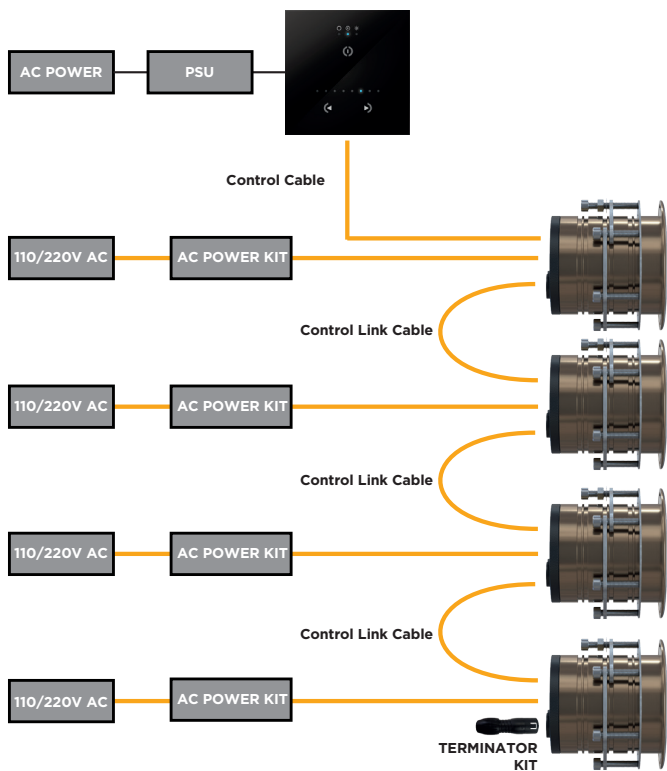
The Dual Blue/White kit option lets the user select either Blue, White or fade modes.

Advanced users can re-program the controller through the included USB cable and control software. For WiFi control, see the DMX WiFi Touch Panel Controller.

BOX CONTENTS	
OceanDMX WiFi Touch Panel Controller	
Installation Manual	
USB Mini Cable	
AC-DC Power Supply	
Control Cable (Not included for Custom Projects Kit)	
Terminator Kit	
TECHNICAL	
Power Supply (with supplied AC-DC adapter)	100-240 AC
Power Supply (To Panel)	6-9V DC
Connections	Power (2 pins) DMX (3 pins) Port (2 pins) Micro-usb
Certifications	EC, EMC, ROHS, ETL, UL (some in process)
Operating Temperature	0°C to 50°C
IP Rating	IP30
PHYSICAL	
Total weight	130g
Dimensions	86 x 86 x 10mm 3.39 x 3.39 x 0.39"
INSTALLATION	
Example shown of Explore E6 / E7 Installation	

LIGHTING SCENES - COLOURS DMX	
SCENE	FUNCTION
SCENE	FUNCTION
1	Red
2	Green
3	Blue
4	Super White
5	Colour cycle

LIGHTING SCENES - DUAL BLUE / WHITE	
SCENE	FUNCTION
1	White
2	Blue
3	Blue-White
4	Blue-White Fade





# Eyes Camera

The EYES HD Ocean Camera can be mounted anywhere allowing you to capture the magic of your own underwater aquarium beneath your boat in full 1080p High Definition video.

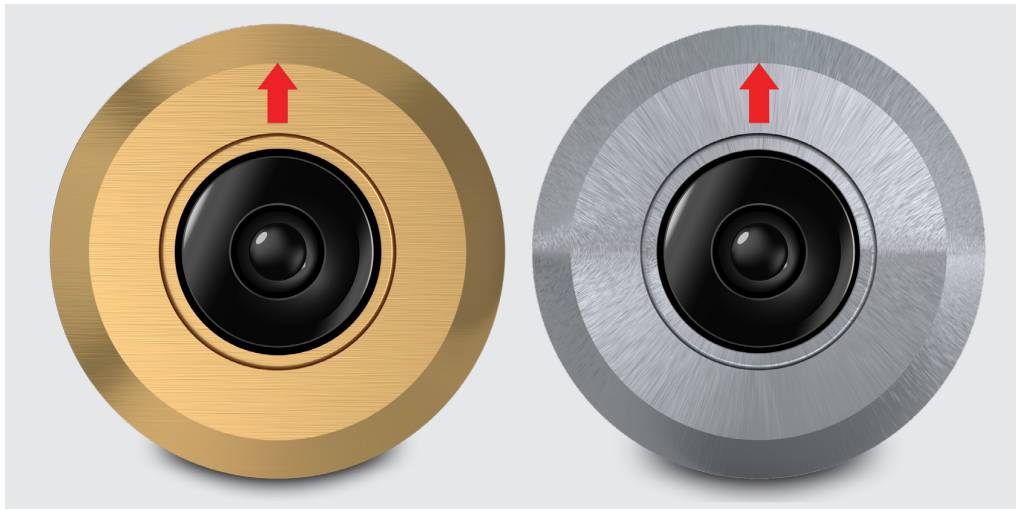
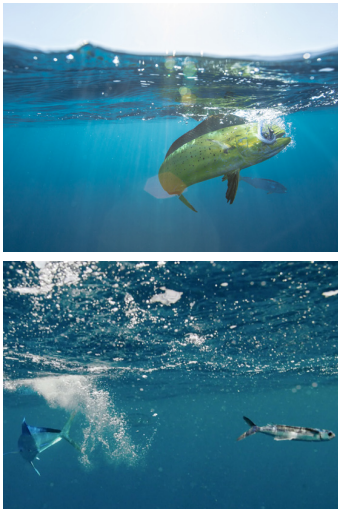






# HD GEN 2 EYES SERIES

NTSC (USA)



View your own underwater aquarium in high definition.

## KEY FEATURES



High Definition 1080p



HD-SDI Output



2.1 Megapixel

## BEZEL PART#



HD Gen2 NTSC Stainless Steel **011811**



HD Gen2 NTSC Alu Bronze **011810**

Never miss the moment the fish strikes or when you're lucky enough to have a pod of dolphins swimming with you. Cockpit mounting means you get a different view of the event and can provide evidence of your winning catch.

The new EYES HD Ocean Camera can be mounted anywhere allowing you to capture the magic of your own underwater aquarium beneath your boat in full 1080p High Definition video.

Can be added to a CCTV system to increase security.

Suitable for Fibreglass, GRP and wooden hulls, and also suitable for aluminium/steel hulls using the Delrin Isolation Sleeve accessory. Tritonium™ optical lens is scratch and sea growth resistant.

- Allows user to view activity / fishing action under vessel in high definition. Helps Anglers see potential catches / the ones that got away.
- Provides evidence of the catch.



## FULL 1080P HIGH DEFINITION

Capture the magic of your own underwater aquarium beneath your boat in full 1080p High Definition video. With 1984 x1105 pixels the Eyes HD catches more of the action in high definition.

## COMPACT AND SIMPLE DESIGN

Aluminium Hard Anodized Body; Aluminium Bronze AB2 Bezel or Stainless Steel Bezel

## SIMPLE TO INSTALL

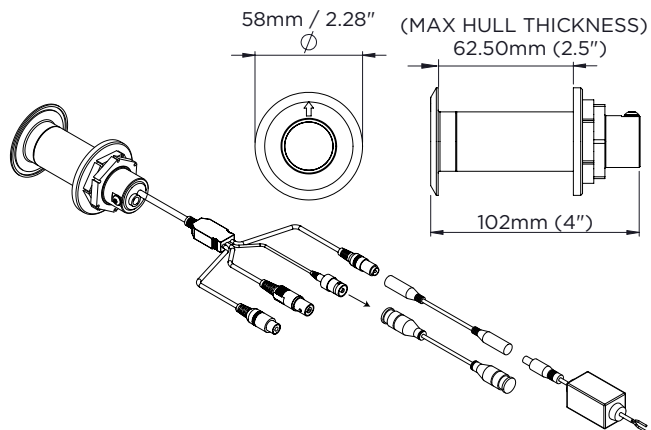
35mm hole in the hull.

## EASY TO CLEAN

Thanks to its Tritonium coating, a simple wipe of the lens removes any underwater growth, saving hours of scrubbing each time you use it.

## EYES HD GEN2 NTSC

BOX CONTENTS	
EYES Ocean Camera	
10m / 30' foot extension cable	
Power in plug-and-play harness	
Locking Kit	
12v DC Current Regulator	
Installation Guide	
ACCESSORIES	PART
EYES Delrin Sleeve (for metal hull installs)	001-500339
10M Extension cable for HD and NTSC	011807
20M Extension cable for HD and NTSC	011808
HDSDI to HDMI Converter	011809
MOUNTING RECOMMENDATIONS	
Maximum hull thickness	62.5mm (2.5")
TECHNICAL	
Minimum Illumination	0.1 LUX
Minimum-Maximum operating voltage DC	9-14V DC
Current / Amp draw (DC)	12V DC 110mA MAX
Effective Pixels	1984 (H) x 1105 (v)
H. Resolution	1080 TV Lines
Video Output	HD-SDI @ 30fps
S/N Ratio	More than 50dB
Minimum Exposure Time	1/60,000sec
Lens	3.7mm
Operating Temperature	14°F-122°F (-10°C-+50°C)
PHYSICAL	
Total weight	65g (2.3oz)
Extension cable length (standard)	10m (30')
Hole cut-out for cable entry	35mm (1.38")
Material	Aluminium Hard Anodized Body; Aluminium Bronze AB2 / Steel Bezel



# Accessories





# 4 WAY POWER JUNCTION BOX

## SPECIFICATION SHEET

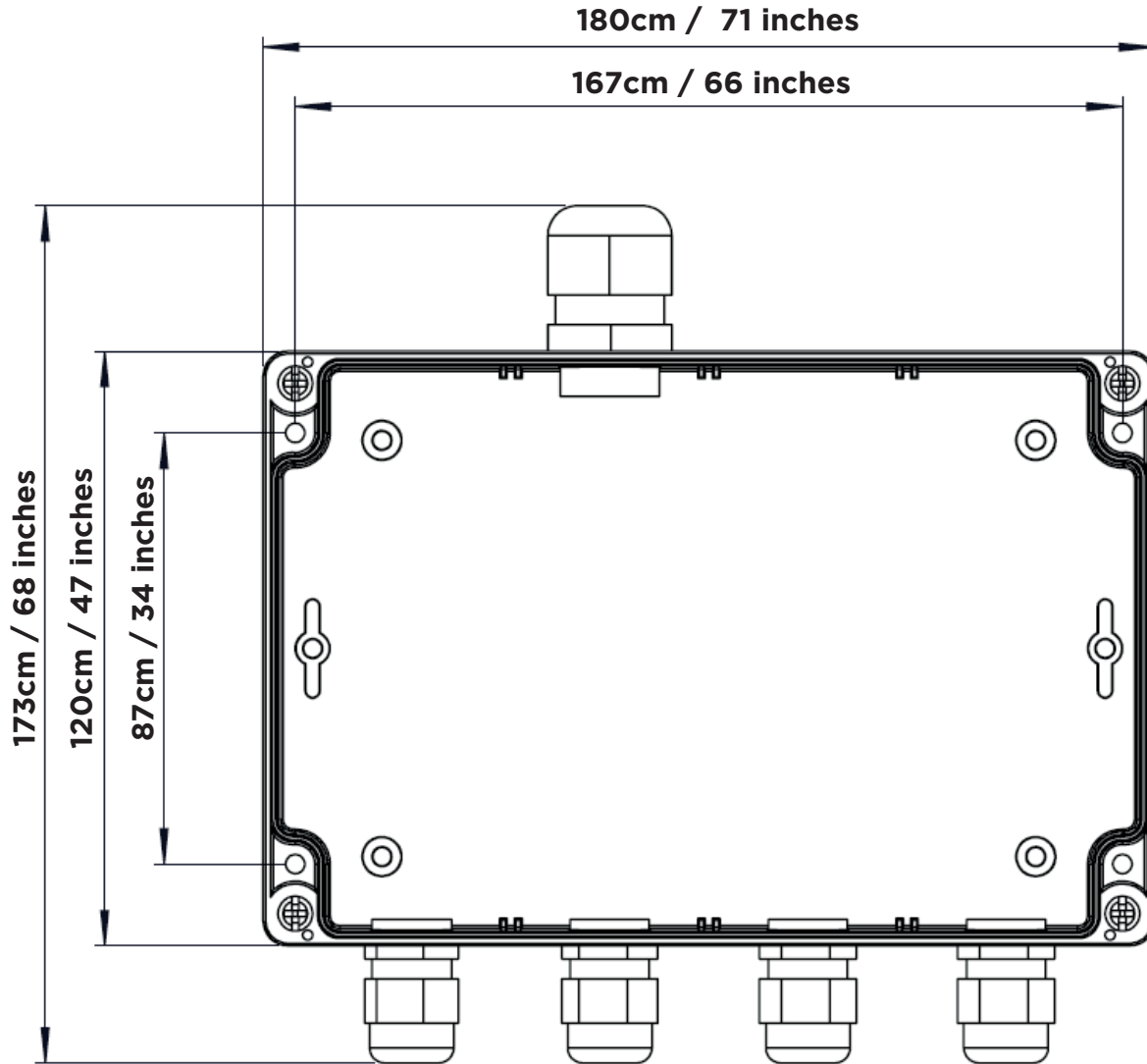


DC power junction box with 4 individually fused power outputs.

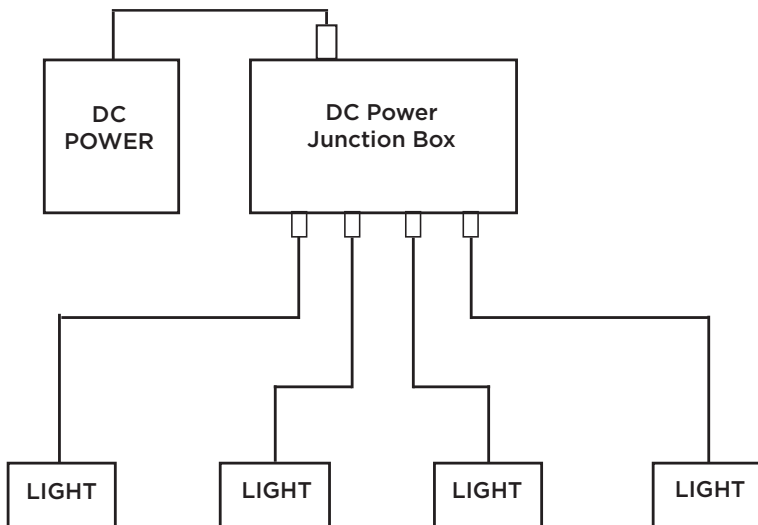
Allows for connection of up to 4 OceanLED Lights per junction box via individually fused power outputs. Can be used with most DC powered OceanLED Lighting. Made from robust polycarbonate materials. IP66 rated waterproofing. Mounting Screws and grommets included.

PHYSICAL		CONTENTS	
Material	Polycarbonate	Power Junction Box	
Dimensions	180mm x 173mm x 60mm (7" x 6.8" x 2.3")	Screw and Gromit Kit	
Weight	460g	PART NUMBERS	
TECHNICAL		4-Way DC Junction Box	019901
Operating Voltage	12/24v (10V - 32V) DC	COMPATIBLE PRODUCTS	
Input Output Cable Glands	IP68 (1x M20, 4x M16)	Sport Series	
Input terminals wire gauge	8 to 20 AWG	Sport Dock Light Series	
Output terminal wire gauge	12 to 22 AWG	X Series	
Outputs	4 x individual fused 10 Amp each max	Explore Series (DC)	
		Pro Series HD Gen2 (DC)	

## DIMENSIONS



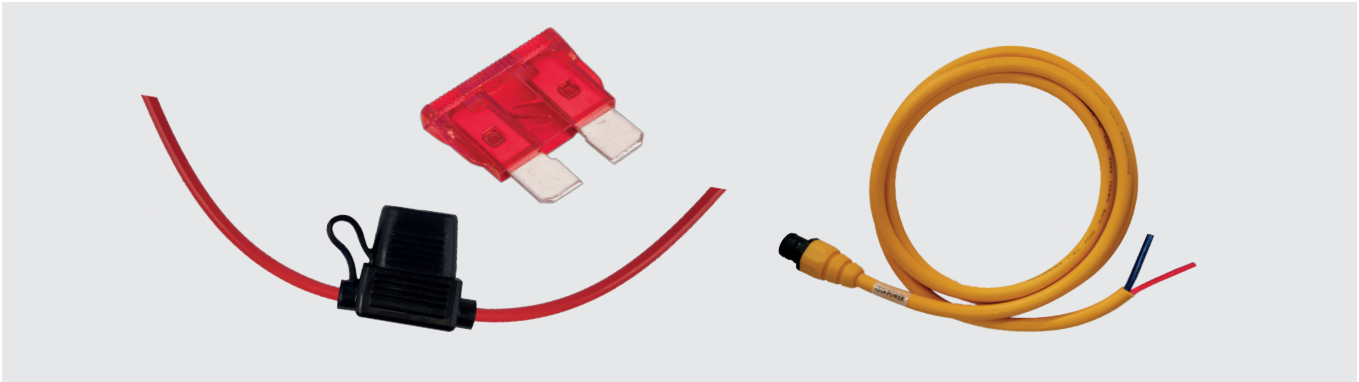
## CONNECTION EXAMPLE





# EXPLORE SERIES DC POWER KIT

## SPECIFICATION SHEET



DC power cable and fuse kit for use with the Explore series lights.

### PHYSICAL

Cable Length 1.8m

### TECHNICAL

Cable Specification 2 x 14 AWG Tinned Copper 8mm OD

Connector End 1 2-pin Deutsch Quick Connect Plug

Connector End 2 Blunt cut (for hardwiring)

### CONTENTS

Fuse Holder

10Amp Blade Fuse

Power Cable

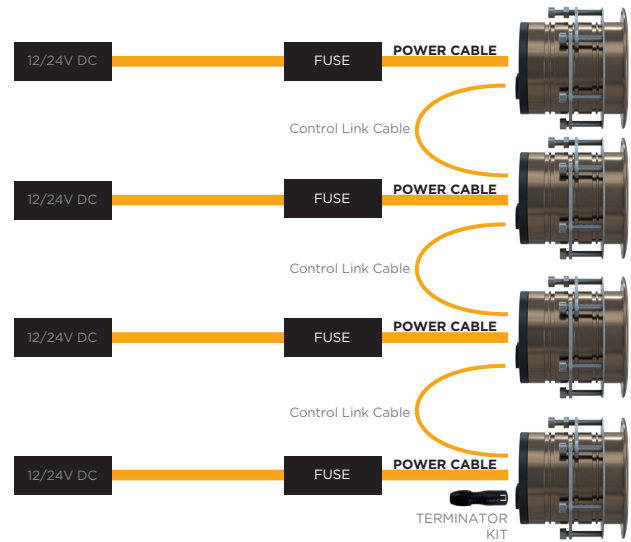
### PART NUMBERS

Explore Series DC power Kit 019903

### COMPATIBLE PRODUCTS

Explore Series E3, E6, E7

### CONNECTION DIAGRAM



# EXPLORE CONTROL LINK CABLE

## SPECIFICATION SHEET



Explore control link cables to connect between E6 and E7 XFM lights. Cables can be joined together to make up longer runs if required. In addition they can also be used to extend the Explore control input cable.

### PHYSICAL

Overall Length (012924)	3m (9'9")
Overall Length (012925)	5m (16'4")
Overall Length (012926)	10m (32'9")
Overall Length (012927)	15m (49'2")
Overall Length (012928)	20m (65'6")

### TECHNICAL

Connector End 1	5-way IP67 Plug
Connector End 2	5-way IP67 Socket

### PART NUMBERS

Explore E6 & E7 Control Link Cable (3m)	012924
Explore E6 & E7 Control Link Cable (5m)	012925
Explore E6 & E7 Control Link Cable (10m)	012926
Explore E6 & E7 Control Link Cable (15m)	012927
Explore E6 & E7 Control Link Cable (20m)	012928

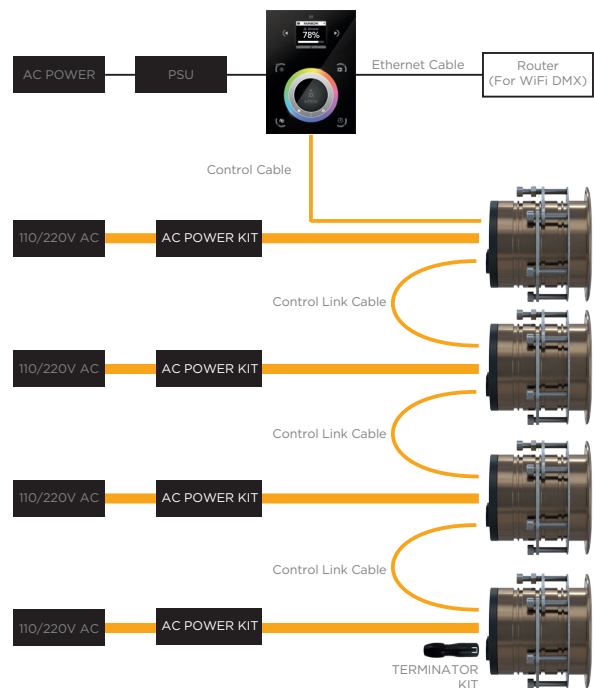
### CONTENTS

Control Link Cable

### COMPATIBLE PRODUCTS

Explore Series E6, E7

### CONNECTION DIAGRAM (EXAMPLE DC POWER)



# EXPLORE SERIES AC POWER KIT

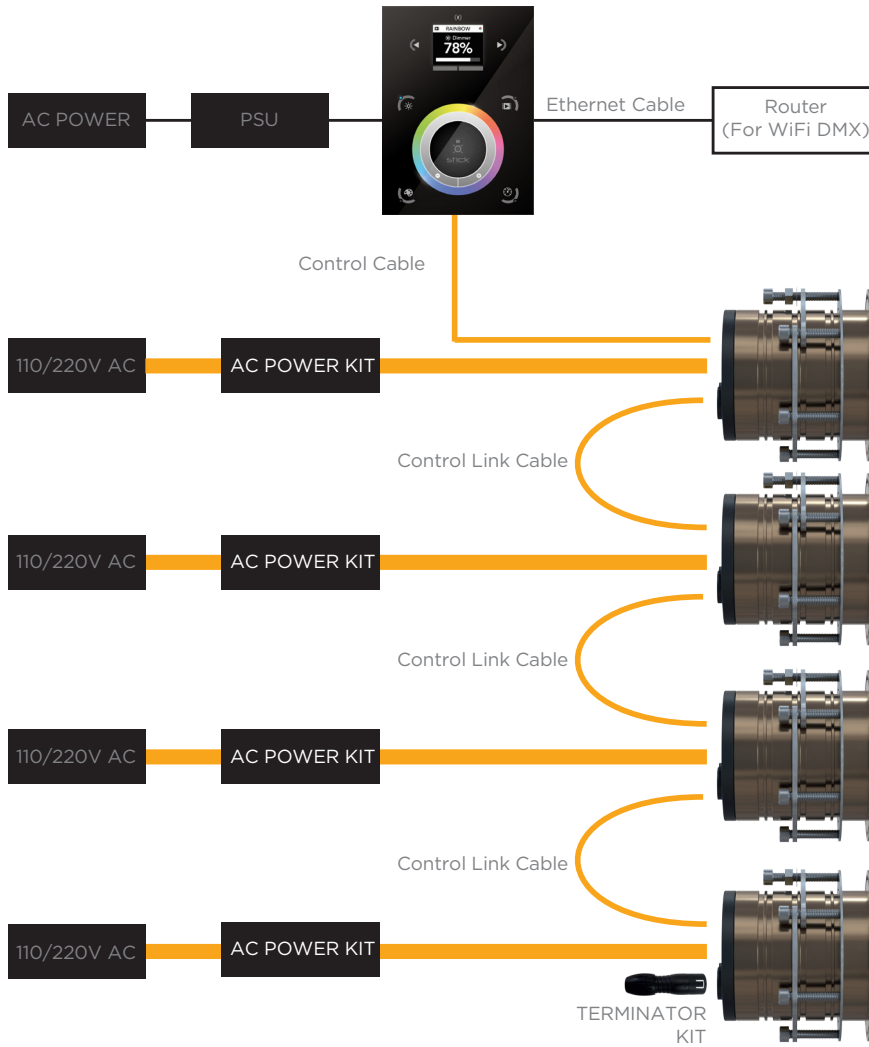
## SPECIFICATION SHEET



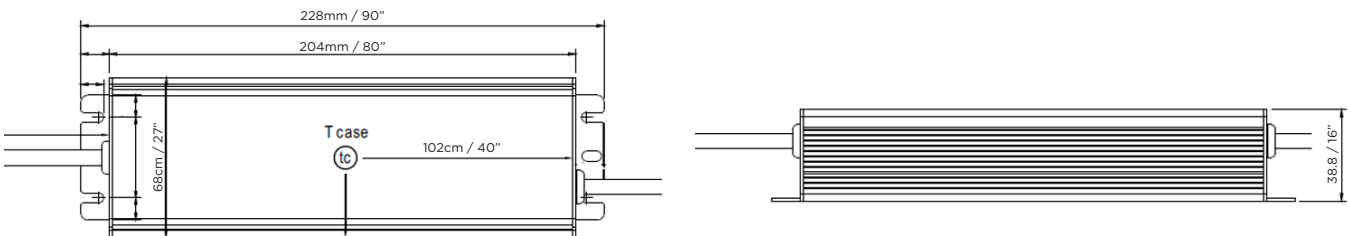
Mains power pack and power link cable for the Explore Series lights.

PHYSICAL		TECHNICAL (POWER LINK CABLE)	
Material (Power Supply)	Extruded aluminium, IP65	Cable Specification	2x 14 AWG Tinned Copper 8mm OD
Weight (Power Supply)	1.15kg	Cable Length	1.8m
Dimensions	228mm x 68mm x 39mm	Connector End 1	2-pin Deutsch Quick Connect Plug
TECHNICAL (POWER SUPPLY)		Connector End 2	2-pin Deutsch Quick Connect Socket
Input Voltage	100-240V AC 50/60 Hz	CONTENTS	
Output Voltage	24V DC	PSU Unit	
Output Current	6.3Amp Max	Power Link Cable	
Rated Power	150W	PART NUMBERS	
Protection	Short circuit protected, over temperature protected	Explore Series AC Power Kit	019904
Input Connection	300mm (12") Flying lead (hard wired)	COMPATIBLE PRODUCTS	
Output Connector	2-pin Deutsch Quick Connect on 300mm (12") flying lead	Explore Series E3, E6, E7	

## CONNECTION DIAGRAM



## DIMENSIONS





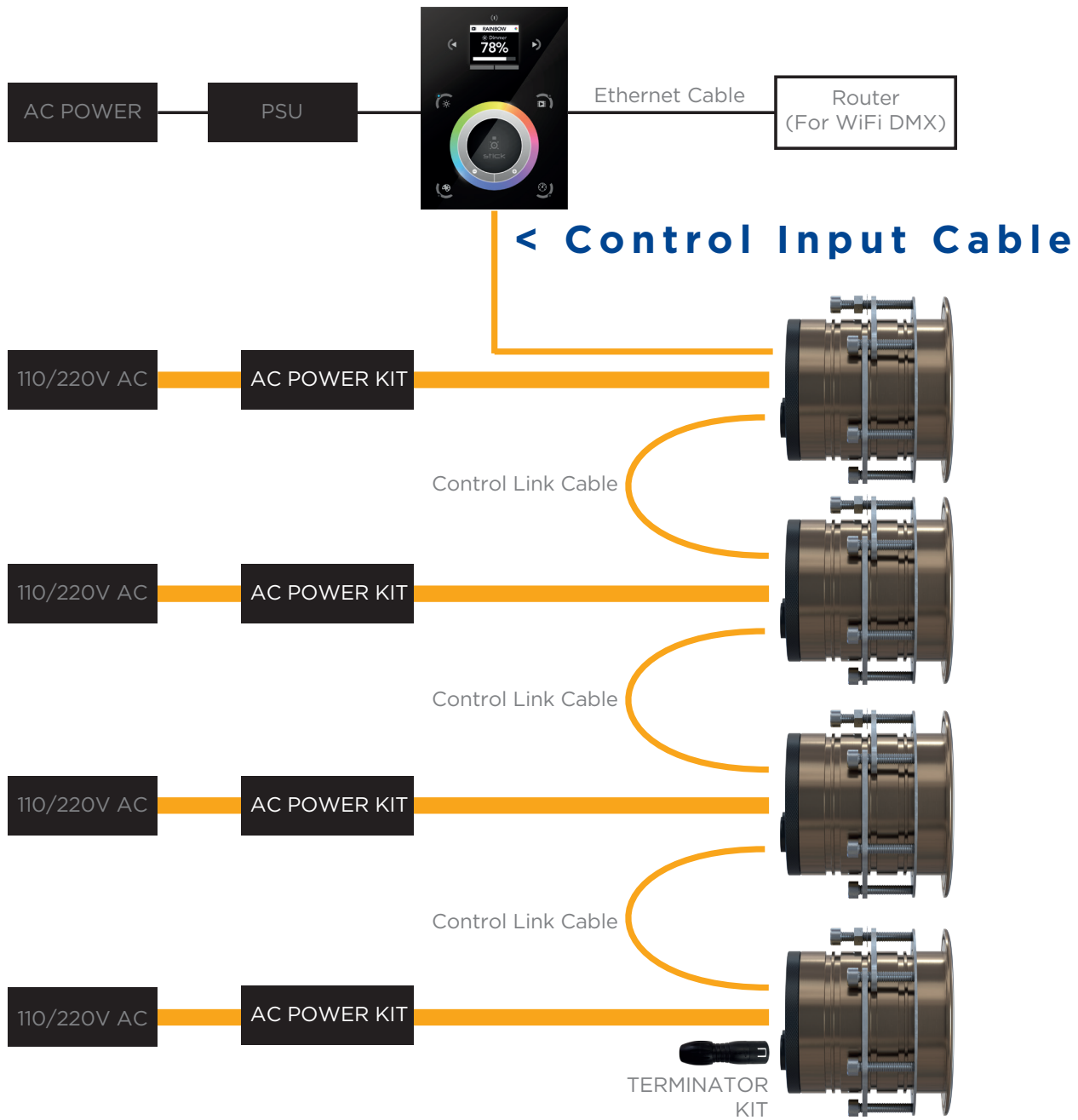
# EXPLORE CONTROL INPUT CABLE KIT

## SPECIFICATION SHEET



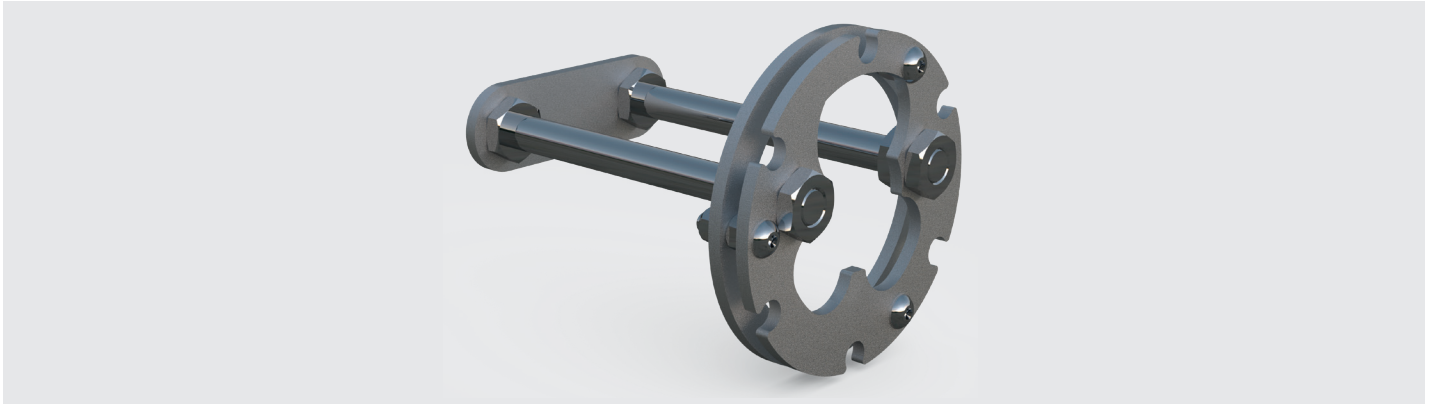
Explore control input cable kit can connect either a switch input or DMX controller to the Explore E6 & E7 lights. Kit includes a 5m control input cable and terminator.

PHYSICAL		CONTENTS	
Cable Length	5m (16'4")	5m Control Input Cable & Terminator	
TECHNICAL		PART NUMBERS	
Cable Specification	Tinned Copper 1x Twisted Pair 24 AWG 2x 20 AWG + Foilscreen+Drain 5.5mm OD	Explore E6 & E7 Control Input & Terminator Kit	012923
COMPATIBLE PRODUCTS			
Connector (End 1)	5-way IP67 Plug	Explore Series E6, E7	
Connector (End 2)	Bare End - for own connection to switch or DMX controller		
Terminator Connector	5-way IP67 Plug		
SIGNAL	CABLE COLOUR		
Shield	Shield		
GND	Black		
DMX +	Yellow		
DMX -	Brown		
Switch	Red		



# EXPLORE EXTENDED REMOVAL TOOL

## SPECIFICATION SHEET



The Extended removal tool allows easy removal of the Explore light cartridge when using the extension kit.

In addition, it also allows easy extraction of the Explore light cartridge for installs that do not utilise the extension kit. (Note that light cartridge removal should only be performed if instructed to do so from OceanLED or your local OceanLED representative and should not be removed during installation/normal maintenance of the light).

### PHYSICAL

Material	Steel / Stainless Steel
Dimensions	95mm x 72mm
Weight	150g

### CONTENTS

1 x Removal Tool

### PART NUMBERS

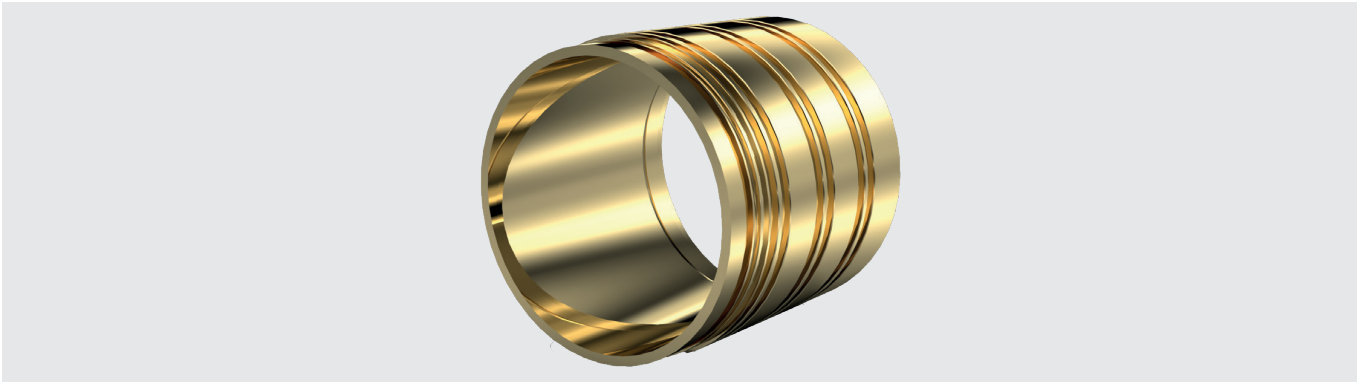
Explore Extended Removal Tool	019907
-------------------------------	--------

### REQUIRED FOR

Explore Series Cartridge Removal

# EXPLORE XFM EXTENSION KIT

## SPECIFICATION SHEET

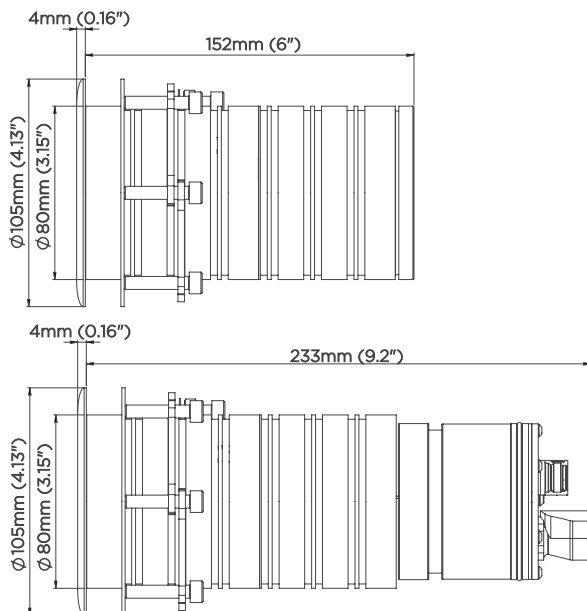


The Explore extension kit is required to allow the Explore XFM series to be fitted to a hull thickness range of 55mm (2.1") to 119mm (4.7") maximum.

PHYSICAL		CONTENTS	
Material (Mounting Tube)	Aluminium Bronze	Mounting Tube	
Material (Compression Tube)	Delrin	Compression Tube	
Dimensions	80mm Ø x 75mm	PART NUMBERS	
Weight	450g	Explore Extension Kit	019905
DIMENSIONS		COMPATIBLE PRODUCTS	

### COMPATIBLE PRODUCTS

Explore Series E3, E6, E7





# DOCKLIGHT AC POWER SUPPLY

## SPECIFICATION SHEET

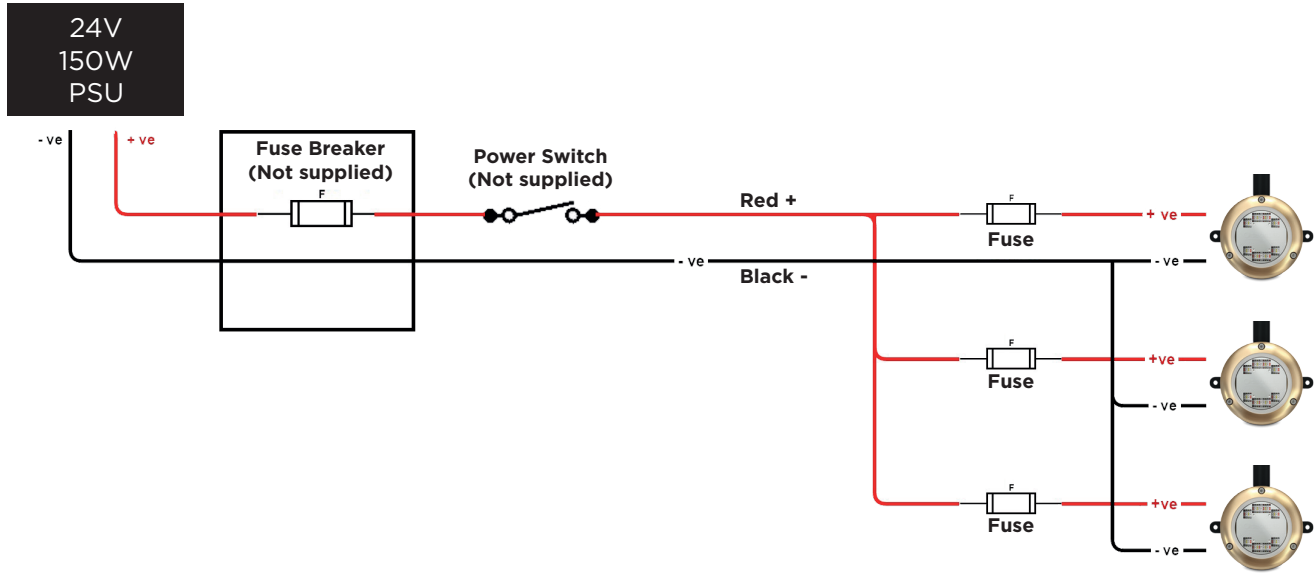


Mains AC pack for Dock Light series lights. Converts 100-240V AC to 24v DC. 150W output power

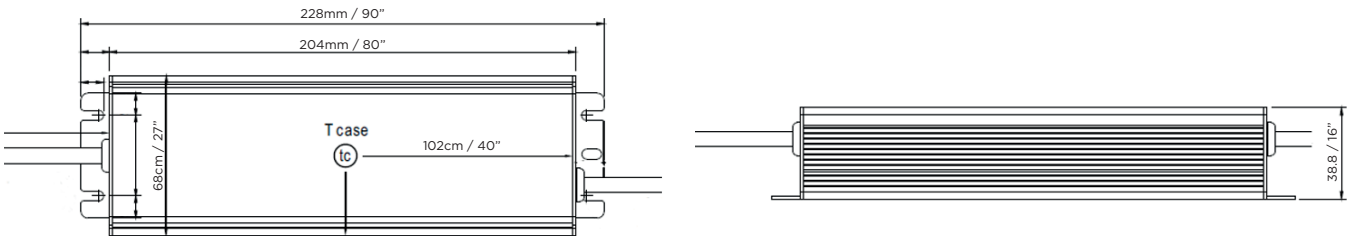
PHYSICAL		CONTENTS	
Material	Extruded aluminium, IP65	24V DC 150W PSU Unit	
Dimensions	228mm x 68mm x 39mm	PART NUMBERS	
Weight	1.15kg	Docklight AC Power Supply	001-600072
TECHNICAL		REQUIRED FOR	
Input Voltage	100-240V AC 50/60 Hz	Sport Docklight Series	
Output Voltage	24V DC		
Output Current	6.3Amp Max		
Rated Power	150W		
Protection	Short circuit protected, over temperature protected		
Input Connection	300mm (12") Flying lead (hard wired)		
Output Connector	300mm (12") Flying lead (hard wired)		
NO' OF LIGHTS CAN POWER			
Single Colour / Multicolour		x2	
Dual Colour		x3	



## CONNECTION DIAGRAM



## DIMENSIONS





# SPORT DOCKLIGHT FLOATING KIT

## SPECIFICATION SHEET



The optional Easi-Kleen floating bracket mechanism allows for installation to pontoons and floating docks or can be installed on a standard dock for easier cleaning access.

Requires extra conduit to join to Dock Light (not supplied in kit).

### PHYSICAL

Bracket Material	Stainless Steel (316L)
Conduit Size	0.5 inch class 7
Weight	300g

### PART NUMBERS

Sport Dock Floating Adapter Kit	012108
---------------------------------	--------

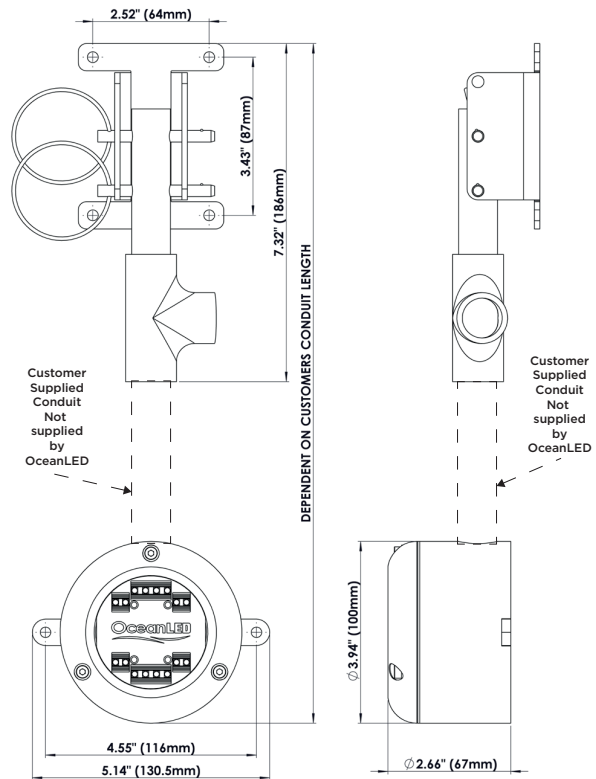
### CONTENTS

Fixing Kit
Bracket
Detent Pins
PVC Pipe & T-Junction

### REQUIRED FOR

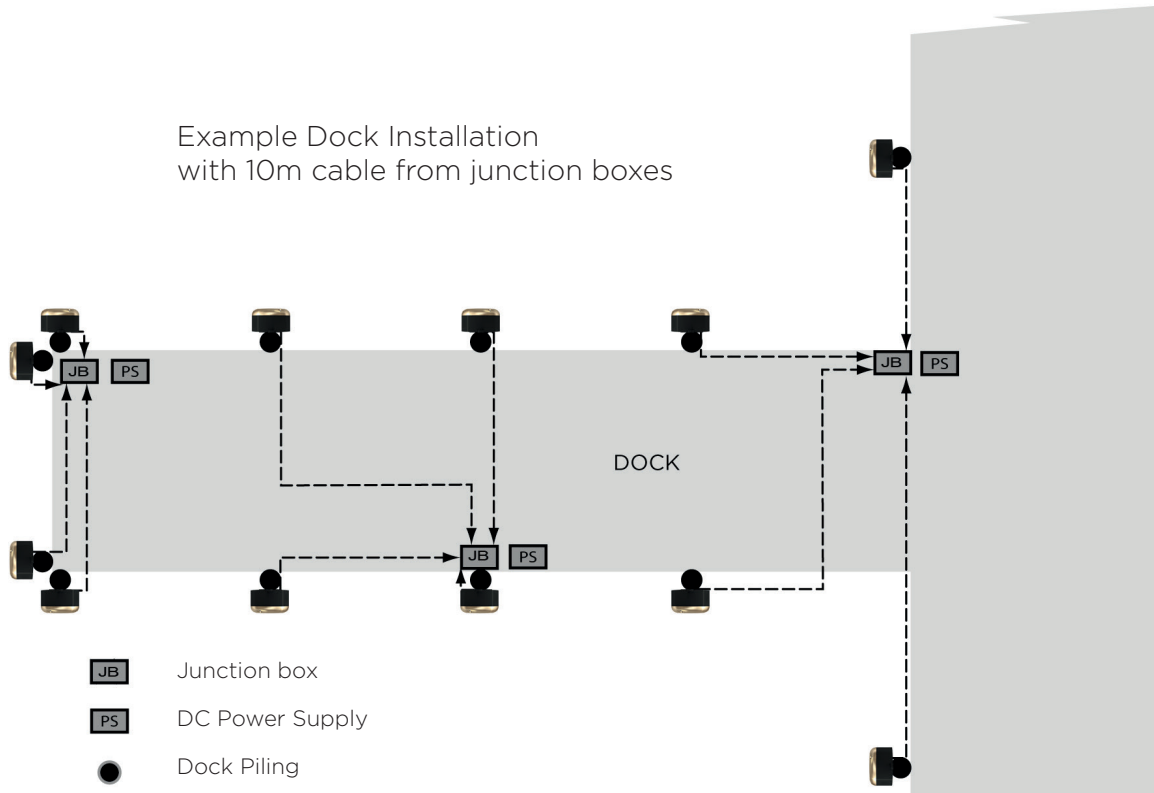
Fixing Sport Dock light Series to floating docks and pontoons
---

### DIMENSIONS

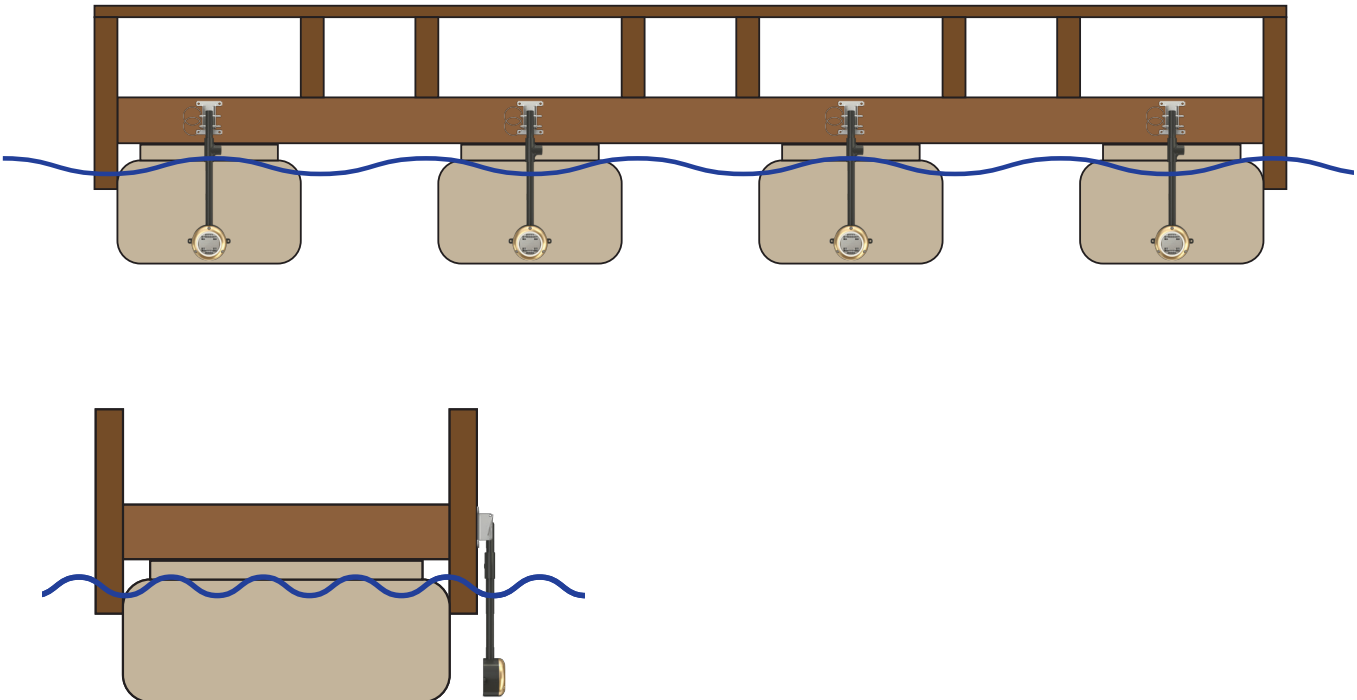


## CONNECTION DIAGRAM

Example Dock Installation  
with 10m cable from junction boxes



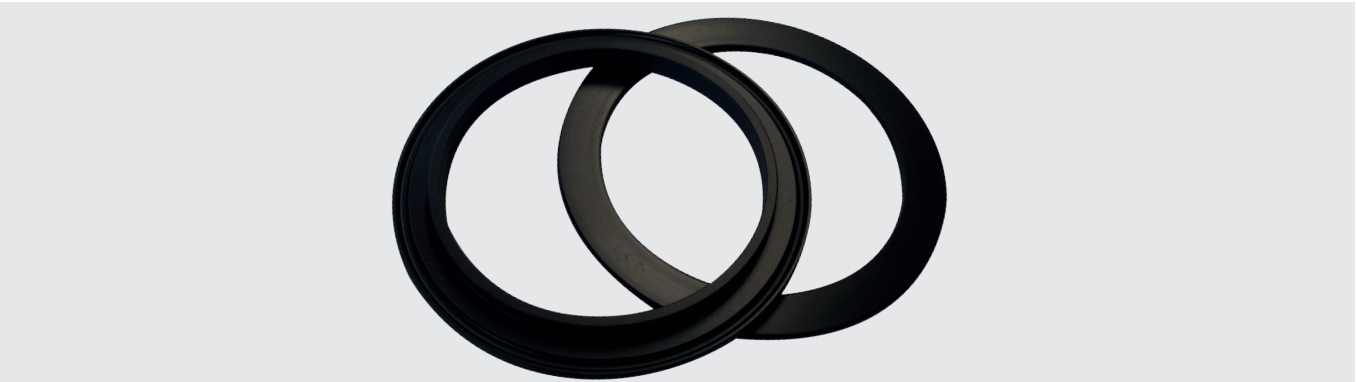
## INSTALLATION EXAMPLE





# DELRIN SLEEVE ISOLATION KITS

## SPECIFICATION SHEET



Delrin isolation sleeves for use when installing lights/eyes camera on metal or conducting hulls inc carbon or wooden.

### PHYSICAL

Material	Delrin
----------	--------

### CONTENTS

Delrin Sleeve Isolation Kit

SKU#	PRODUCT NAME	HOLE SIZE
001-500164	2010/Colours TH HD Gen2	35mm / 1 1/4"
001-500165	3010 TH HD Gen2	35mm / 1 1/4"
001-500573	2010/Colours XFM HD Gen 2	105mm / 4 1/8"
001-500575	3010 XFM HD Gen2	120mm / 4 3/4"
001-500638	Explore Series XFM & Allure 150/250	89mm / 3 1/2"
001-500339	Eyes HD Camera	37mm / 1 1/2"

### REQUIRED FOR

Conductive and wooden hull types.



# EYES CAMERA CONNECTOR ENCLOSURE

## SPECIFICATION SHEET



A waterproof (IP68) connector enclosure designed for use with the Eyes Camera. Use to fully enclose and waterproof the connectors local to the camera.

PHYSICAL		CONTENTS	
Material (Mounting Tube)	PVC	Connector Enclosure	
Ingress Protection	IP68	PART NUMBERS	
Dimensions	265mm long x 58mm $\varnothing$ (10.4" long x 2.3" $\varnothing$ )	Eyes Camera Connector Enclosure	019908
Weight	140g	REQUIRED FOR	
TECHNICAL		Eyes HD Camera	
Input cable gland	IP68, M25 with single entry (1 x 3-5mm)		
Output cable gland	IP68, M25 with dual entry insert (2 x 4-6mm)		
CONNECTION DIAGRAM			







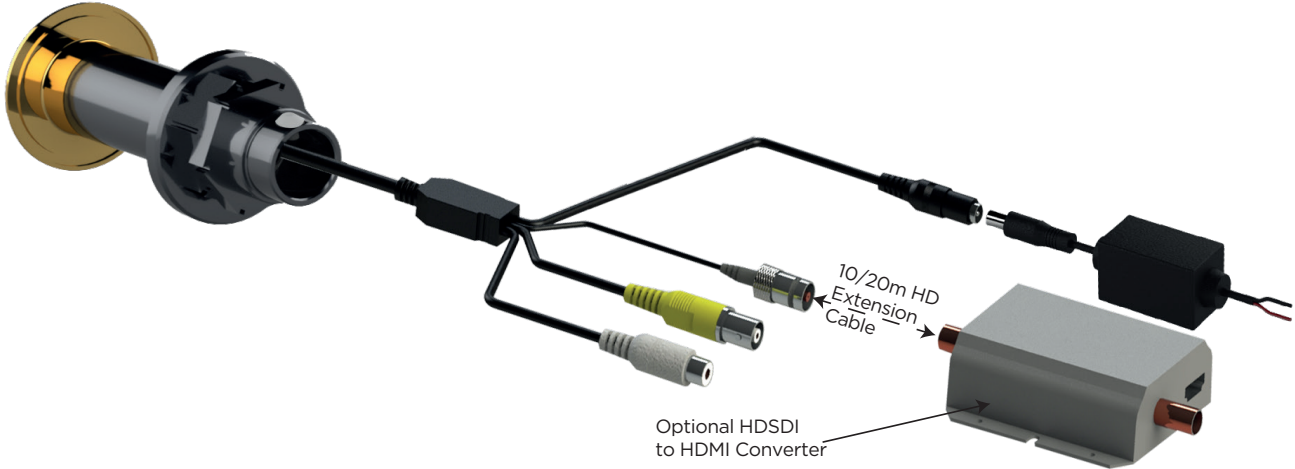
# EYES CAMERA EXTENSION CABLE

## SPECIFICATION SHEET



### BNC to BNC and DC Power shotgun style cable

PHYSICAL		CONTENTS	
Overall Length (011807)	10m	Extension Cable	
Overall Length (011808)	20m	PART NUMBERS	
TECHNICAL		10m Extension cable Eyes HD Gen2	011807
Connector 1	BNC-BNC (Male - Male)	20m Extension cable Eyes HD Gen2	011808
Connector 2	2.1mm DC - 2.1mm DC (Male-Female)	REQUIRED FOR	
CONNECTION DIAGRAM		Eyes HD Camera	





LIGHT. YEARS AHEAD.

**Ocean LED Marine Ltd**

Unit 1 Jacknell Road  
Dodwells Bridge Industrial Estate  
Hinckley  
Leicestershire LE10 3BS  
United Kingdom

Tel: +44 1455 637505

Superyacht Sales: [superyacht@oceanled.com](mailto:superyacht@oceanled.com)  
Leisure/Fishing Sales: [sales@oceanled.com](mailto:sales@oceanled.com)

**OceanLED USA LLC**

778 South Military Trail  
Deerfield Beach  
Florida  
FL 33442-3025  
United States

Tel: +1(954) 523-2250

Superyacht Sales: [superyacht@oceanledusa.com](mailto:superyacht@oceanledusa.com)  
Leisure/Fishing Sales: [sales@oceanledusa.com](mailto:sales@oceanledusa.com)

[www.oceanled.com](http://www.oceanled.com)

Specifications are subject to change without notice. Trademarks are the property of OceanLED.